

F202 series

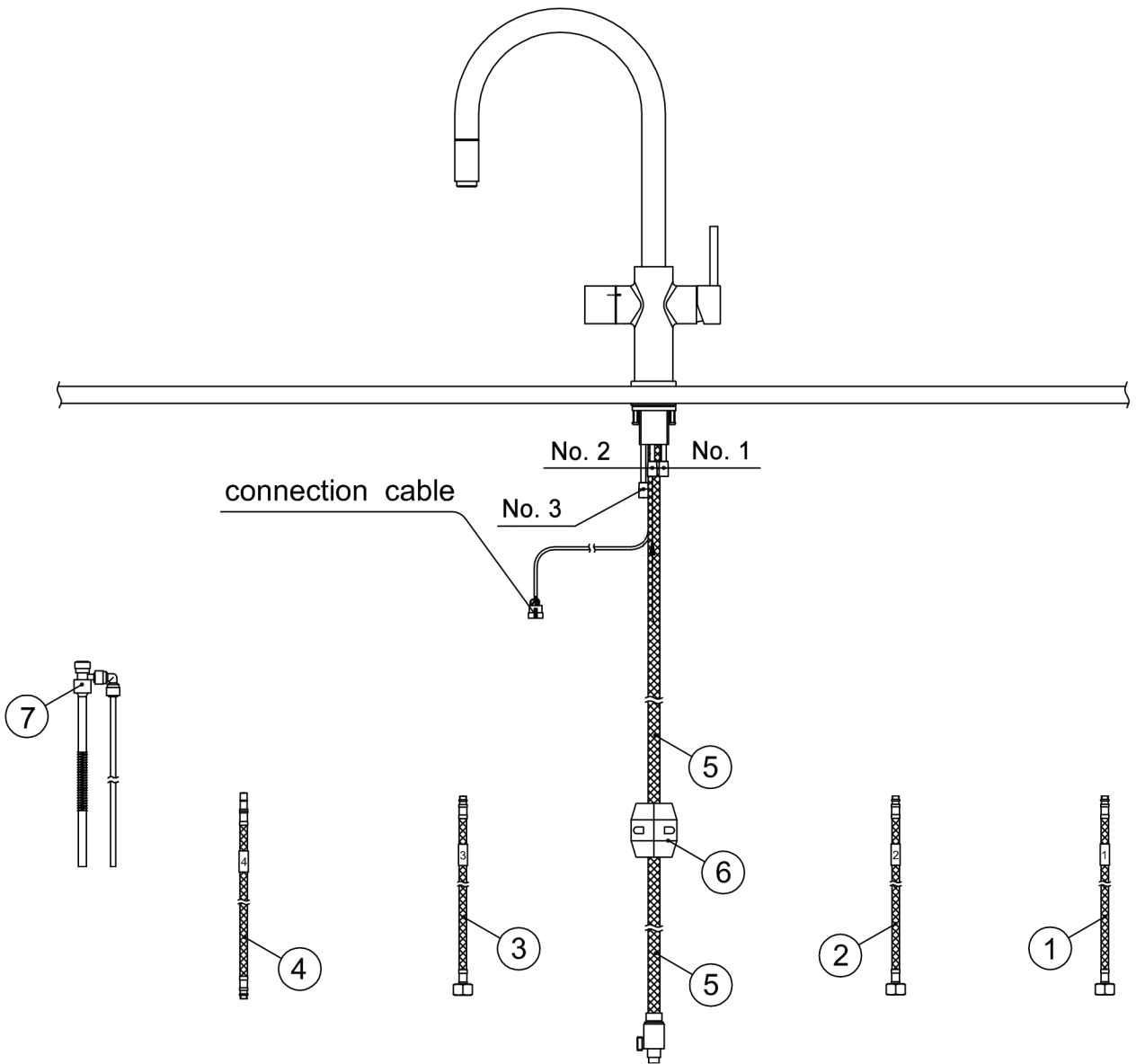
Pull Down Extension Faucet

5 in 1 / 6 in 1
Operation Manual



Please read the instructions completely before operating the unit

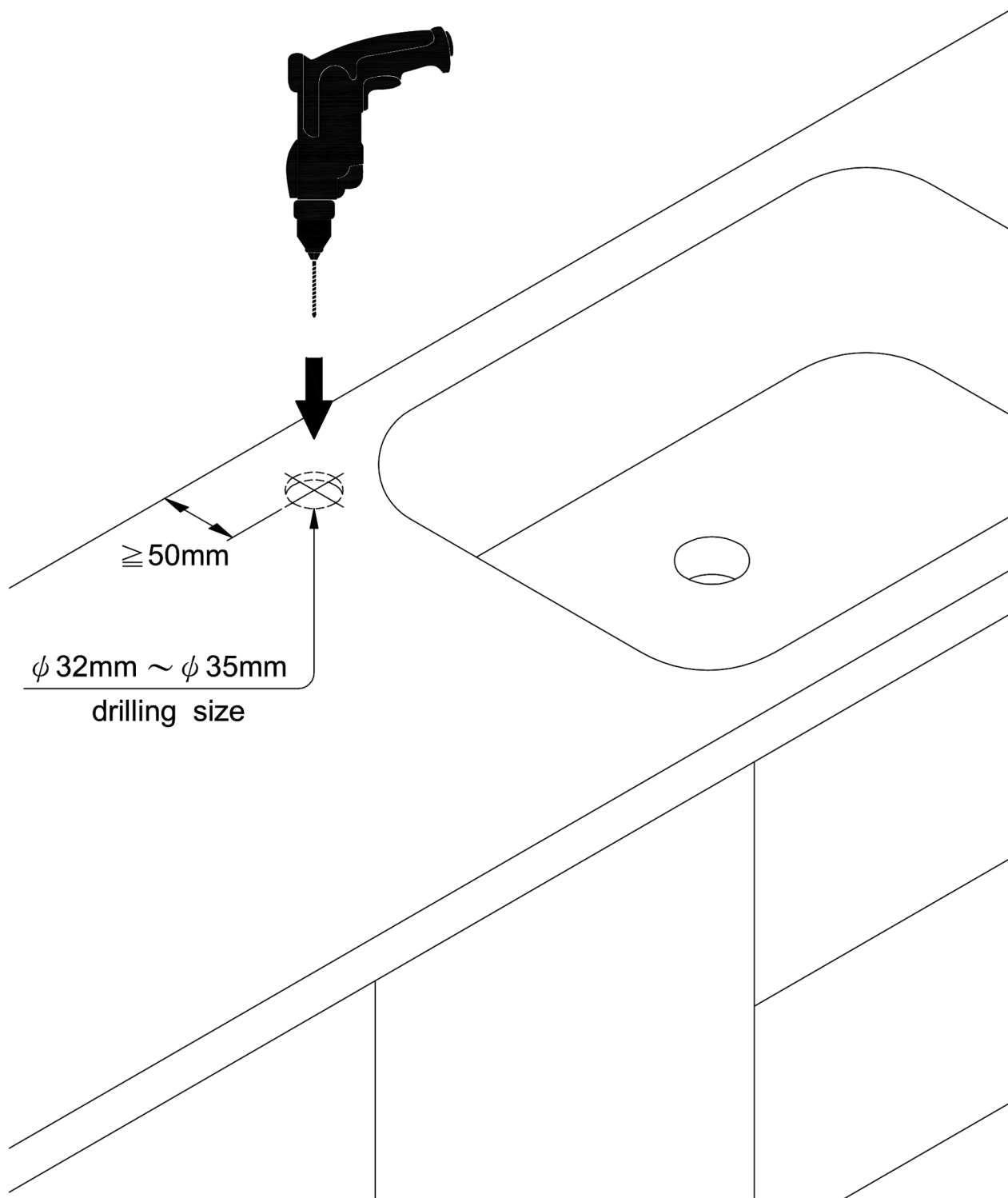
PARTS



Item	Drawing No.
1	Blue stripe woven stainless steel pipe
2	Red stripe woven stainless steel pipe
3	Woven stainless steel pipe
4	Woven steel pipe
5	Pull down extension hose
6	Gravity ball
7	Three way valve set

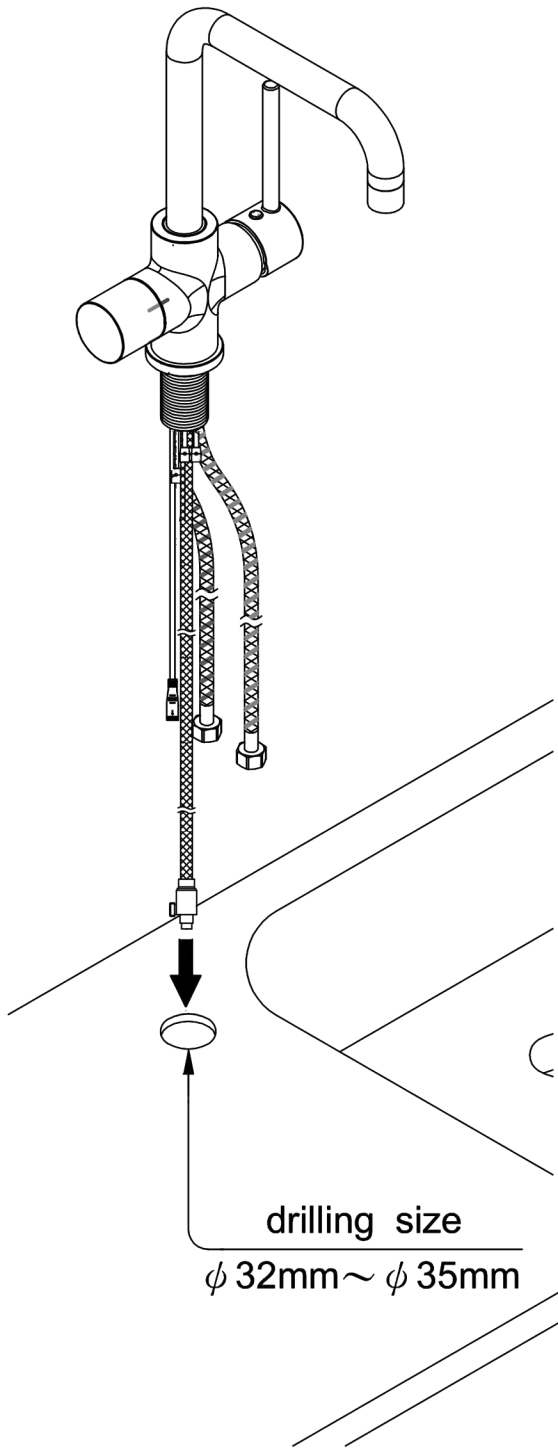
FAUCET INSTALLATION

1. Please find the area on the surface that is at least 50 mm away from the edge and drill a hole between $\varnothing 32$ mm to $\varnothing 35$ mm for faucet installation.

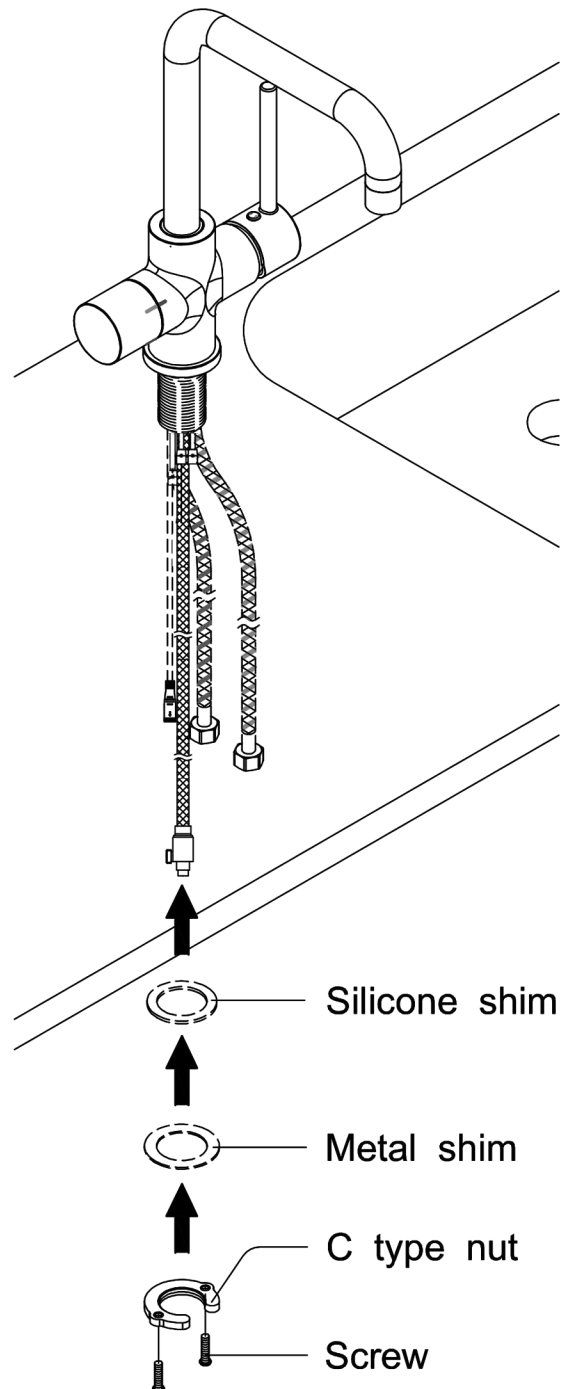


FAUCET INSTALLATION

3. Insert the threaded housing through the drilled opening including all pipes and the cable.

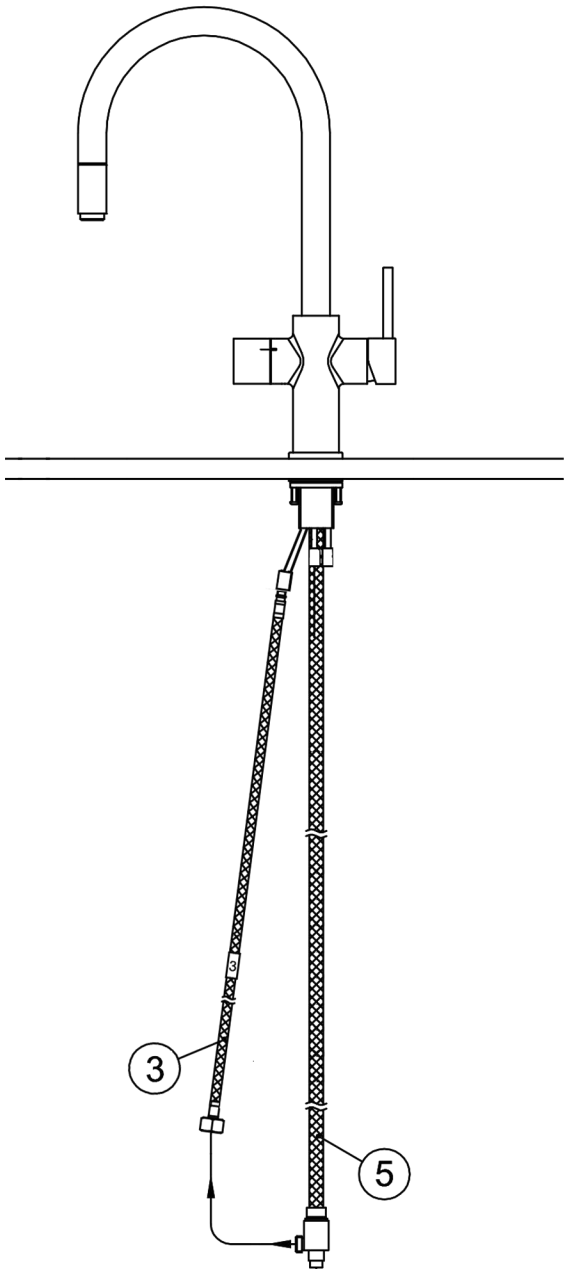


4. Follow the sequence as shown in the image below. Install silicone shim, metal shim, and C type nut, then tighten the screws.

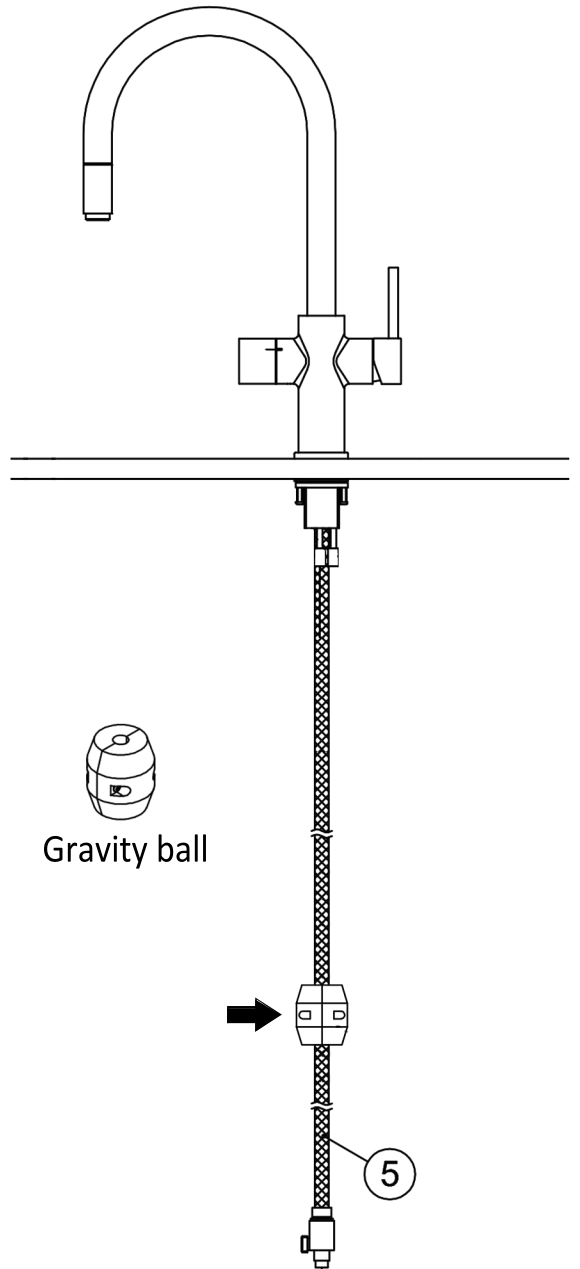


FAUCET INSTALLATION

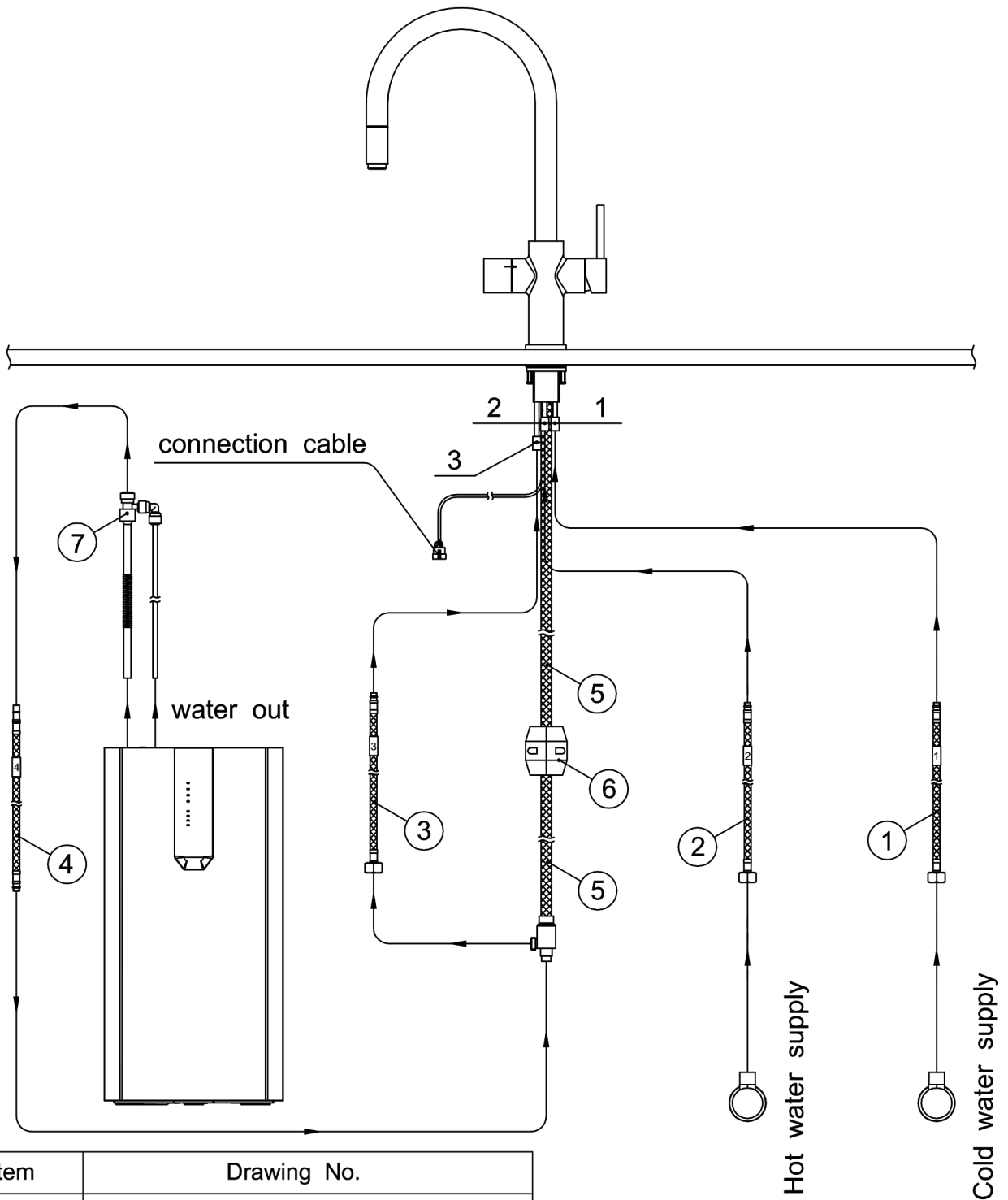
Connect pipe "3" to pipe "5"



Install the gravity ball on pipe "5" then tighten the screws on both sides.



FAUCET INSTALLATION

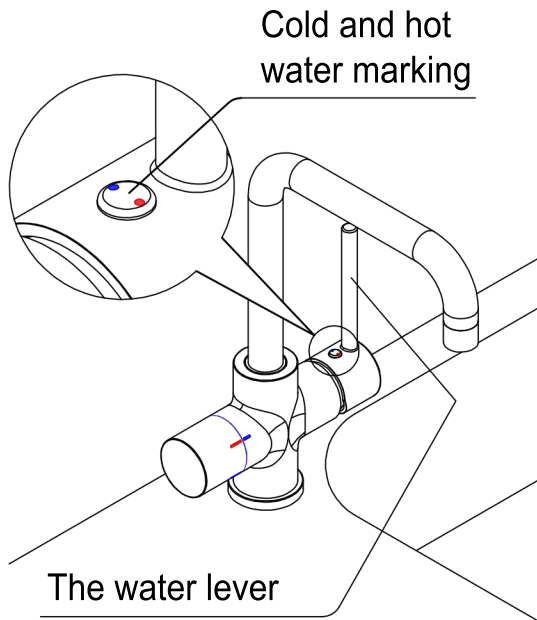


Item	Drawing No.
1	Blue stripe woven stainless steel pipe
2	Red stripe woven stainless steel pipe
3	Woven stainless steel pipe
4	Woven stainless steel pipe
5	Pull down extension hose
6	Gravity ball
7	Three way valve set

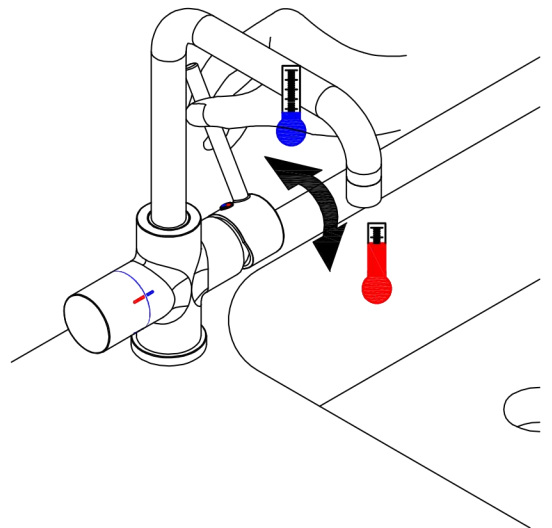
After the faucet is mounted on table, please connect pipe "3" to pipe "5", the extension pulling hose, and then connect pipe "4" to water dispenser outlet as shown in the drawing below.

WATER DISPENSING INSTRUCTION

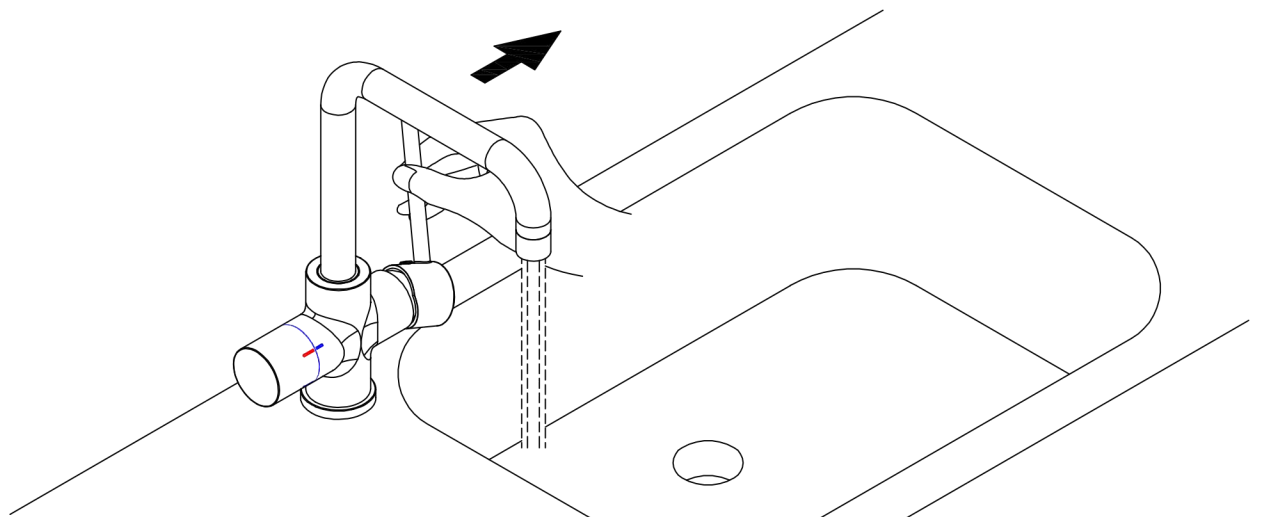
1. There are two marking on the faucet lever for cold and hot water. Blue is for ambient water and red is hot water.



2. Hold the lever and turn up or down as directed by the arrow to choose hot or ambient water.



3. Pull the lever to the right as shown by the arrow for the water to flow out.



WATER DISPENSING INSTRUCTION

There are three or four functions on the rotate controller and the icon of turning off the water.



Hot water icon



Stop dispensing icon



Cold water icon



Stop dispensing icon



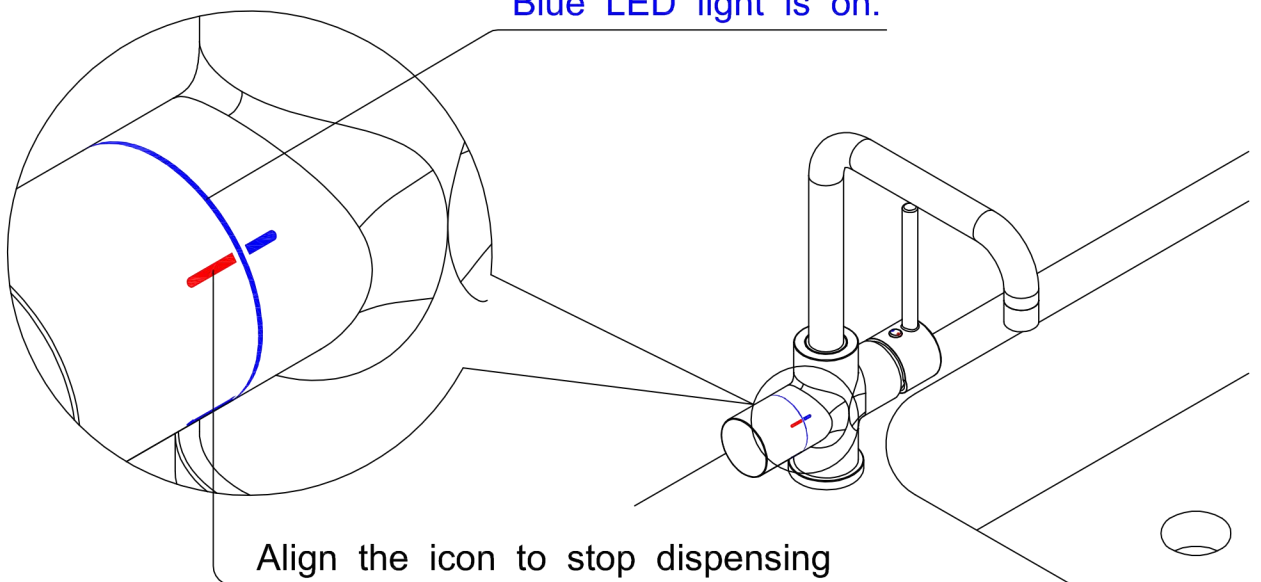
Sparkling water icon



Ambient water icon

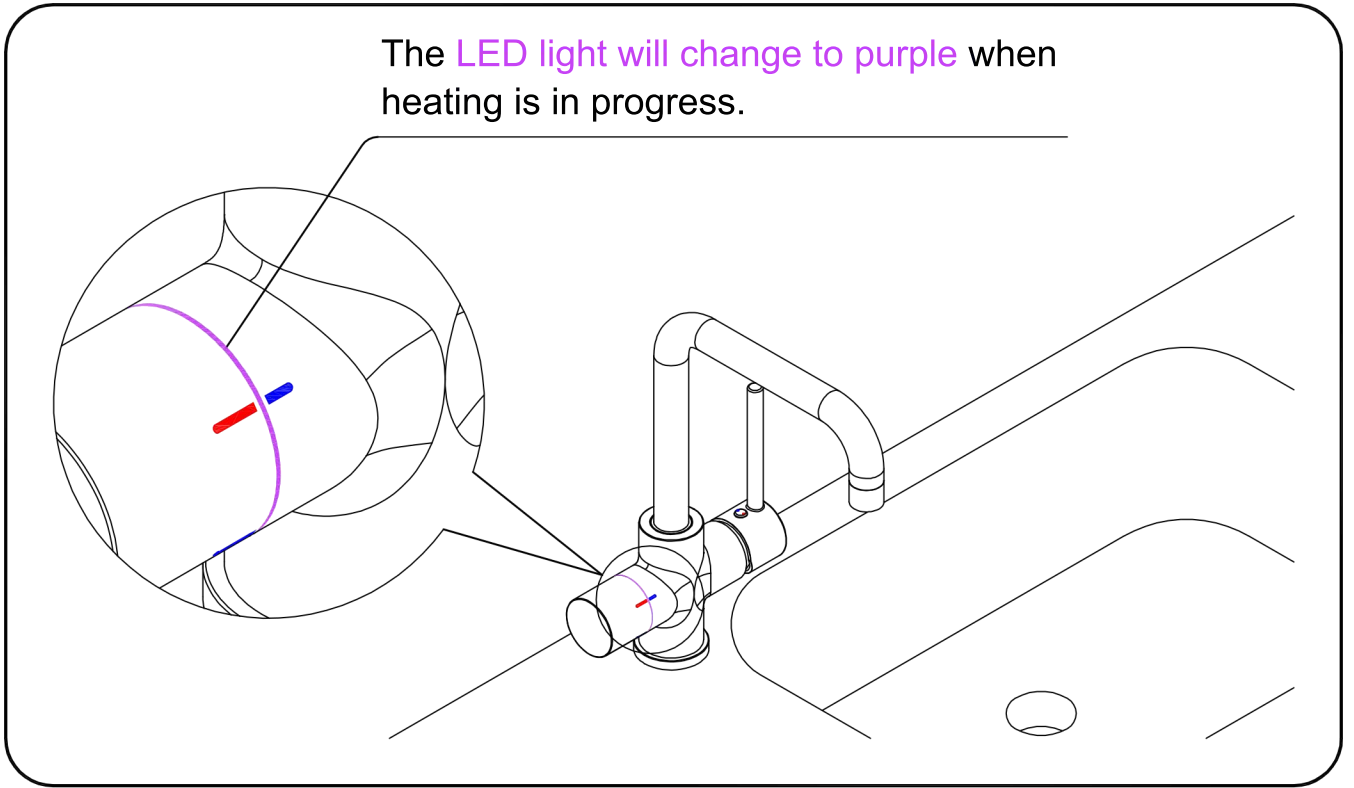
Align the stop dispensing icon on both rotate controller on the faucet body to stop dispensing; the blue LED light will be on.

Blue LED light is on.

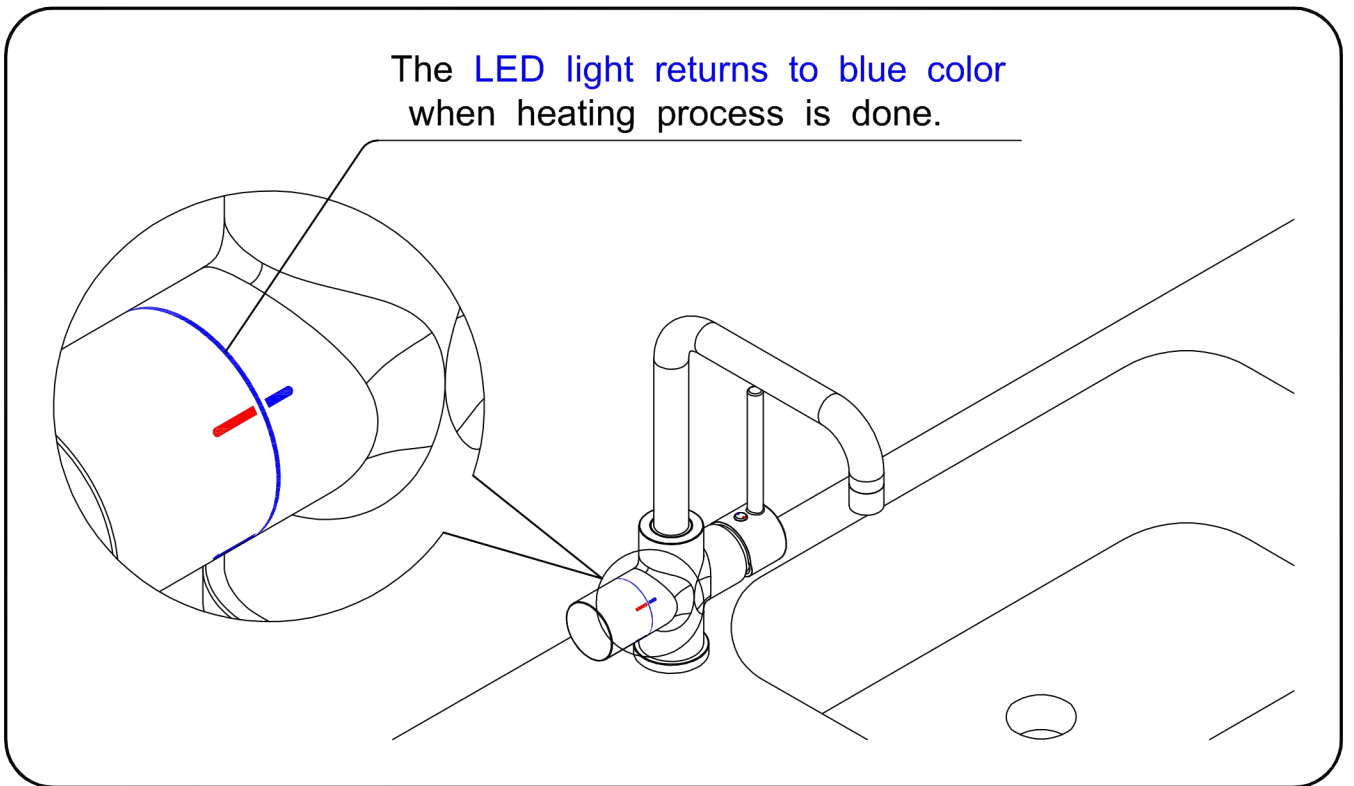


LED LIGHT INDICATION

The LED light will change to purple when heating is in progress.

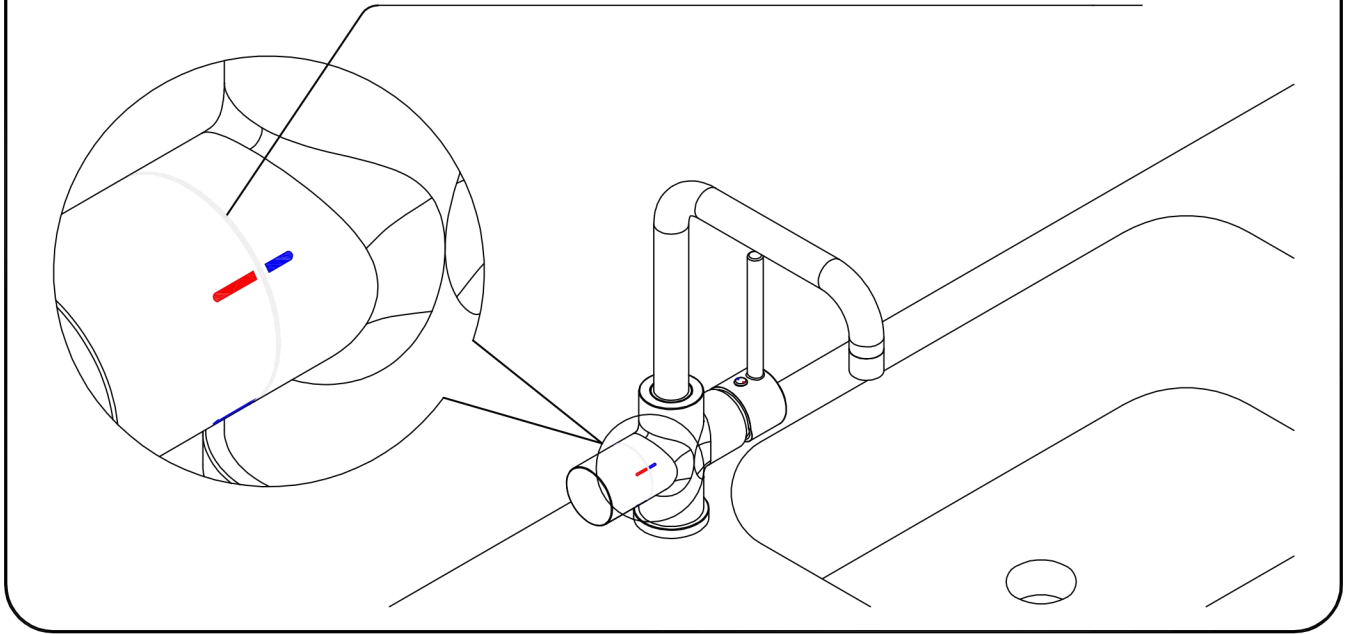


The LED light returns to blue color when heating process is done.

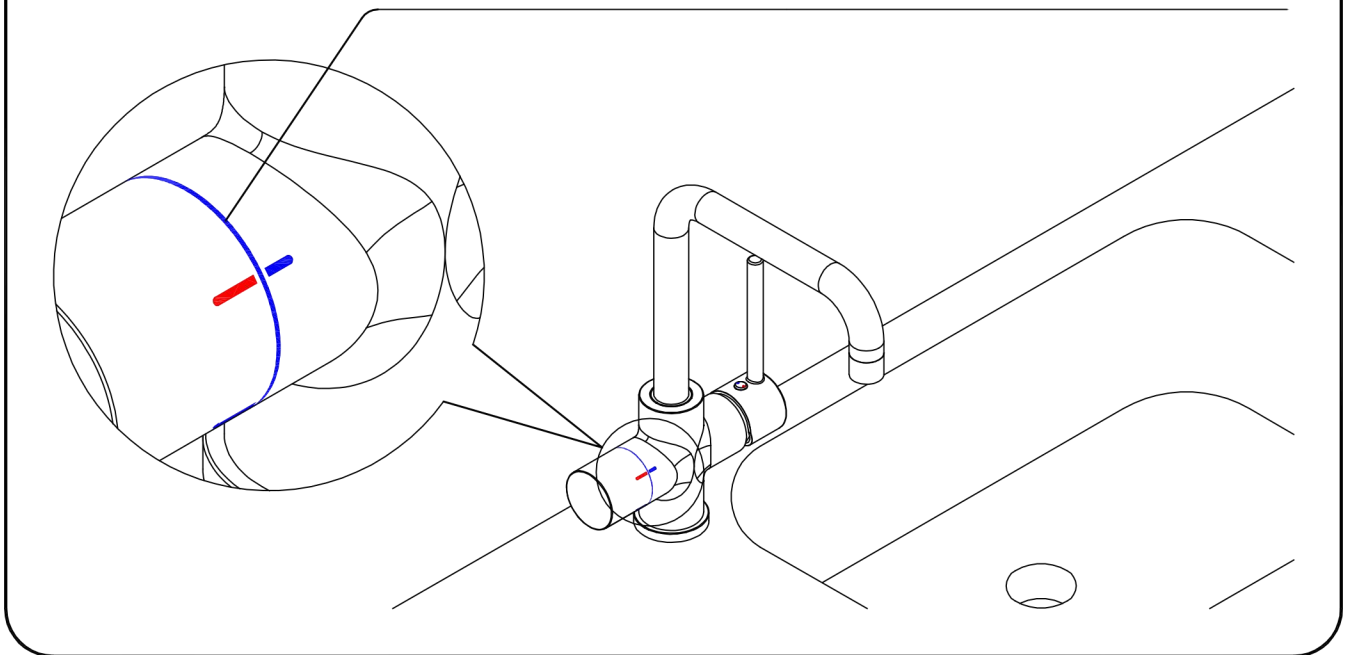


LED LIGHT INDICATION

When energy saving mode is enabled and surrounding is dark, the LED light will be off. The energy saving mode is on.



The LED light will return to blue color or turn to purple color to reheat hot water, when surrounding is bright.

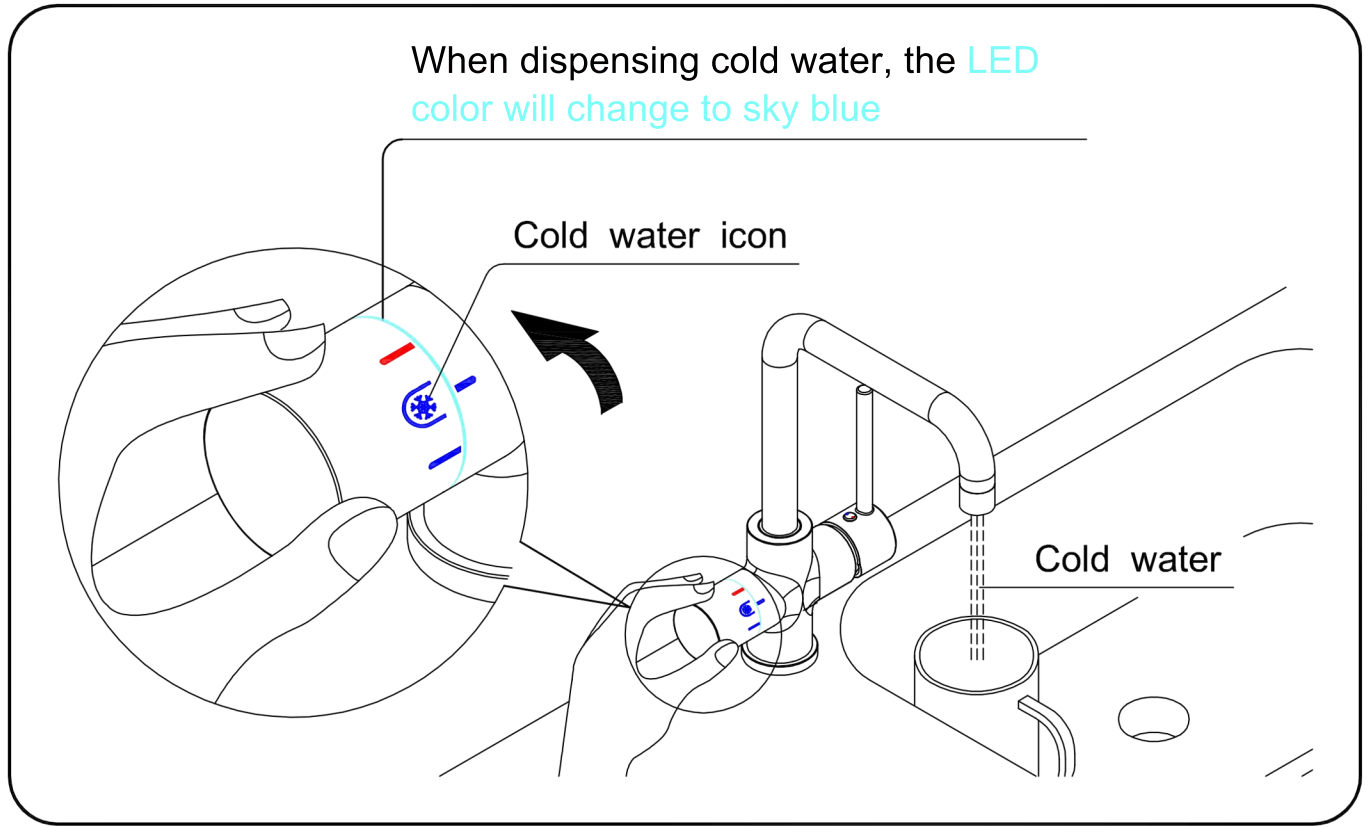


WATER DISPENSING INSTRUCTION

When dispensing cold water, the LED color will change to sky blue

Cold water icon

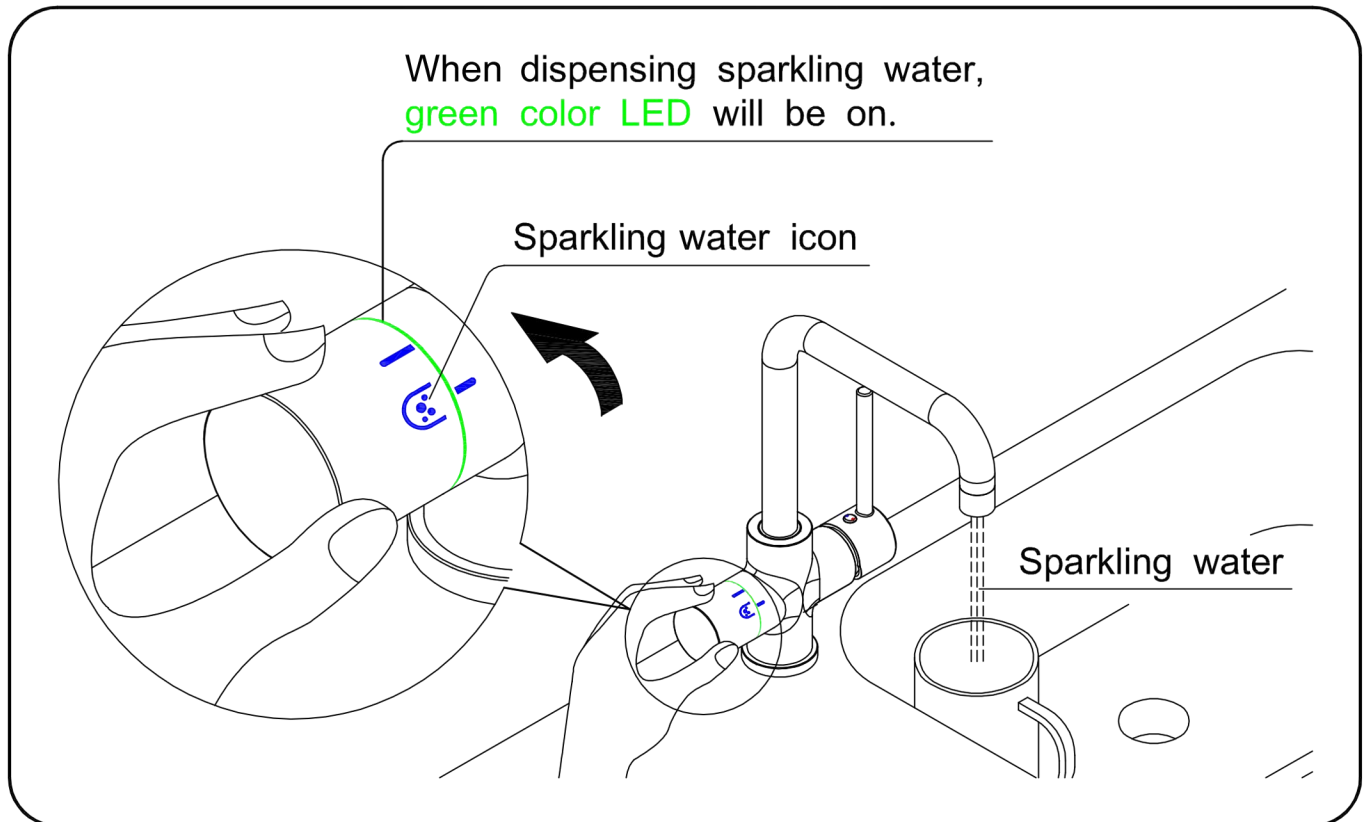
Cold water



When dispensing sparkling water, green color LED will be on.

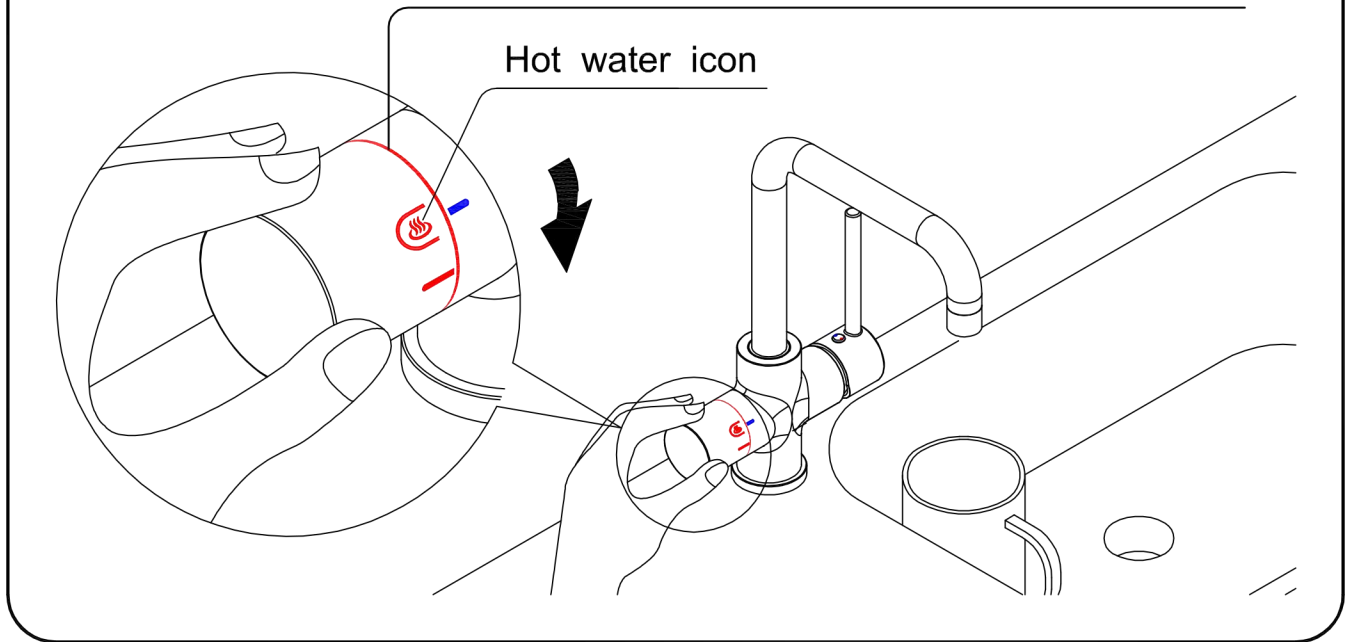
Sparkling water icon

Sparkling water

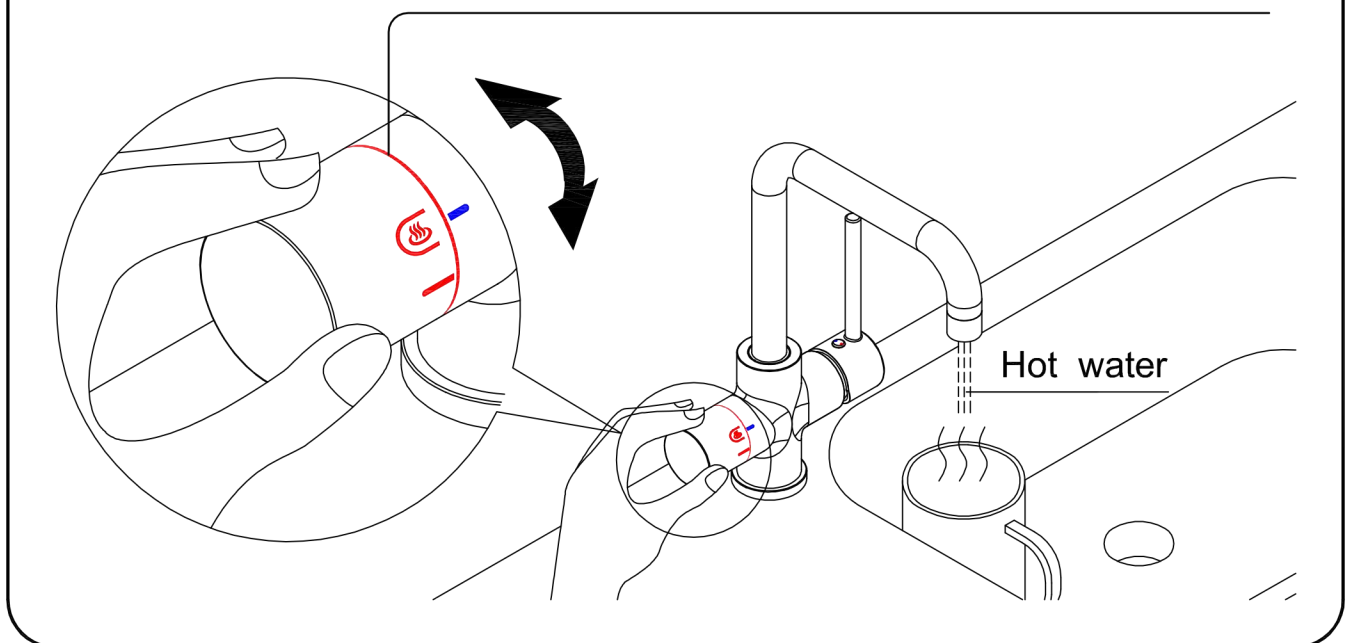


WATER DISPENSING INSTRUCTION

Rotate the controller to hot water icon, the **LED light will blink in red**. This is to unlock th hot water, the hot water will not be dispensed at the moment.

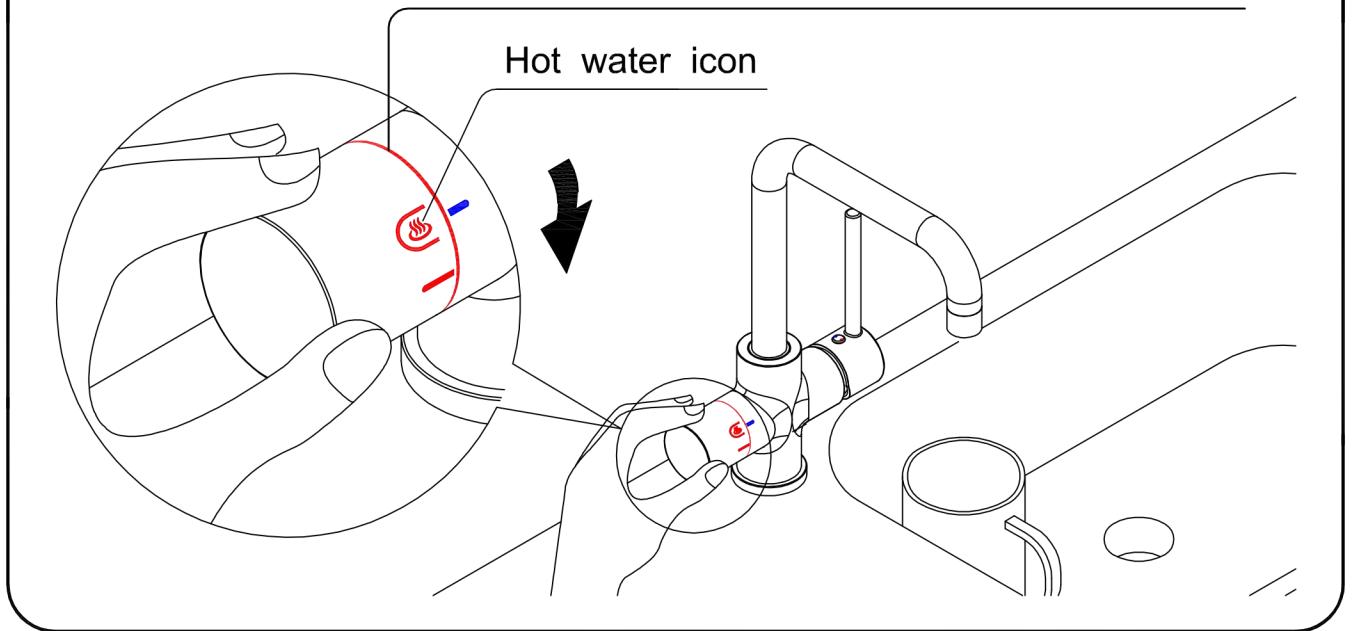


Please rotate again within 3 seconds while the LED light is blinking, then the blinking will stop and start to dispense hot water.



WATER DISPENSING INSTRUCTION

To dispense ambient water from 4 water option faucet, please rotate the controller once to hot water icon, the red LED light will start blinking. Keep staying on hot water icon.



The LED light will turn white and ambient water will be dispensed automatically after 3 seconds.

