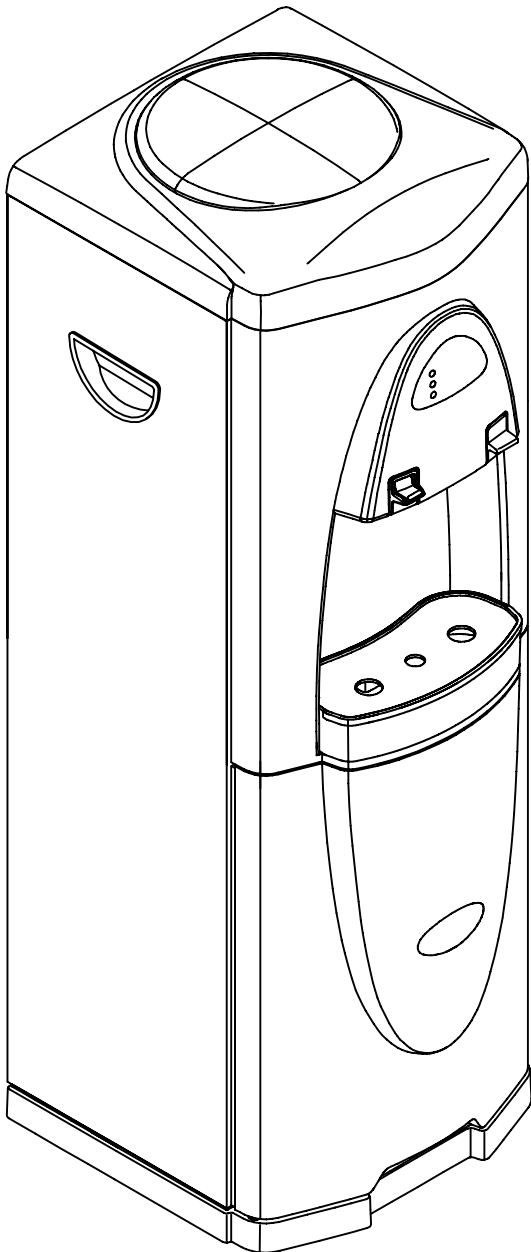

CW-598-A

Cold、Hot Water Dispenser

Operation Manual

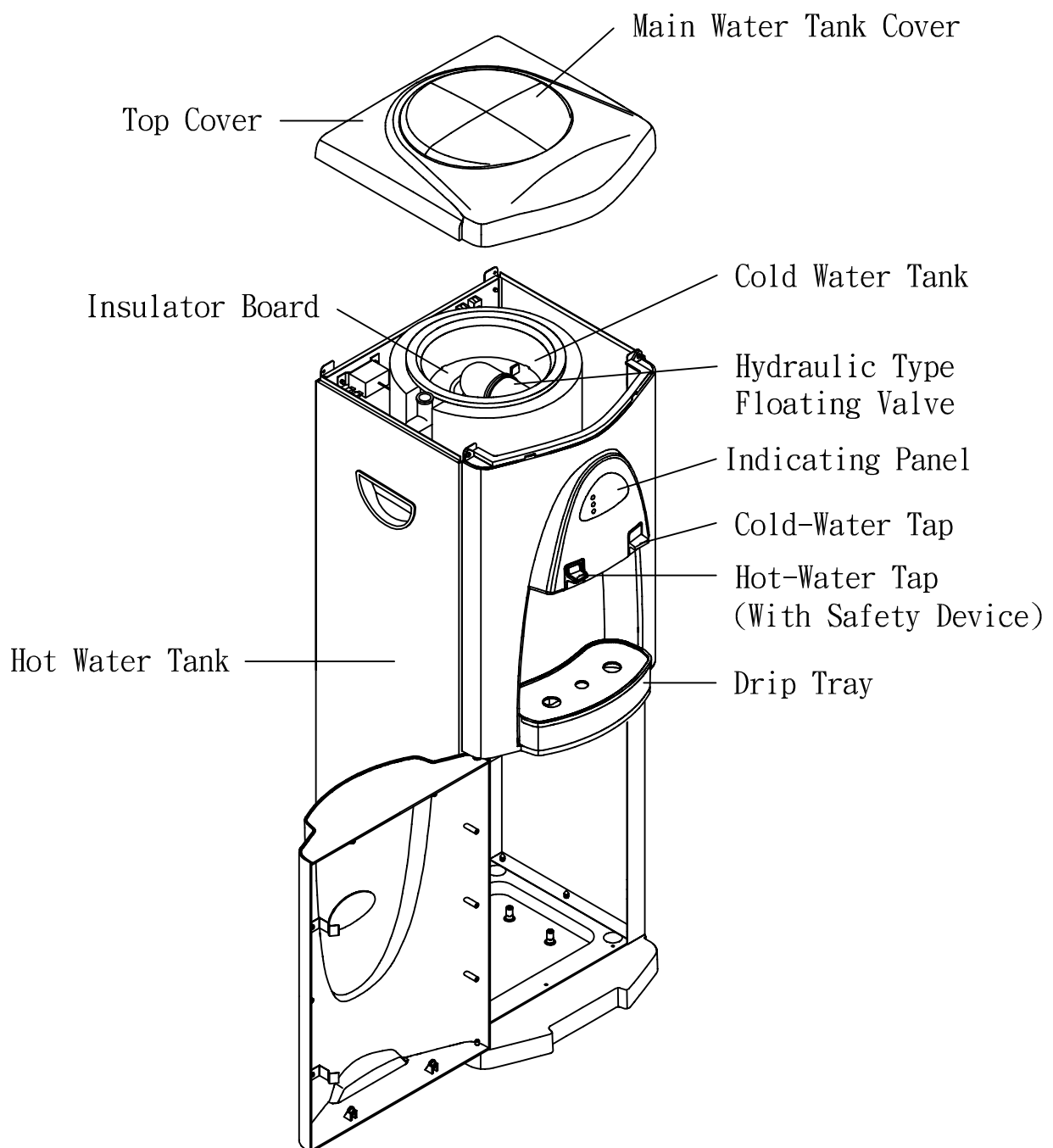


Contents	Page
Preface/Parts	1
Piping installation	2
Operation method	3
Precaution	4
Cleaning & Maintenance	5

Please read these instructions completely before operating this unit

Preface/Parts

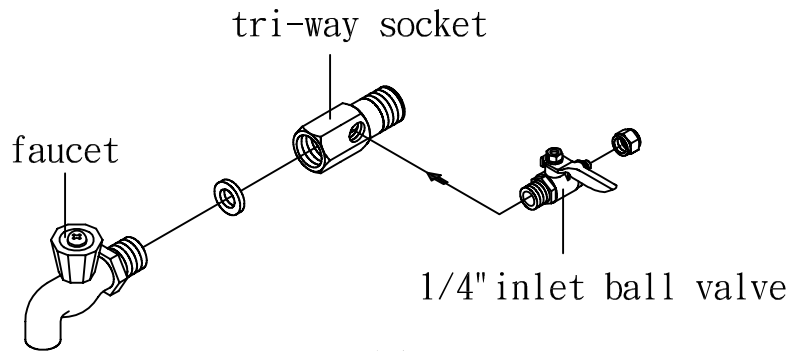
Congratulations on your wise choosing this cold , hot water dispenser which is suitable for home , office , factory use .
This unit is equipped an individual IC board control on cold , hot system internally to provide the cold , hot water in 24 hours a day .
To ensure that this product will always perform at its optimum , the user is advised to read manual thoroughly and follow the instructions before operating the unit .



Piping installation

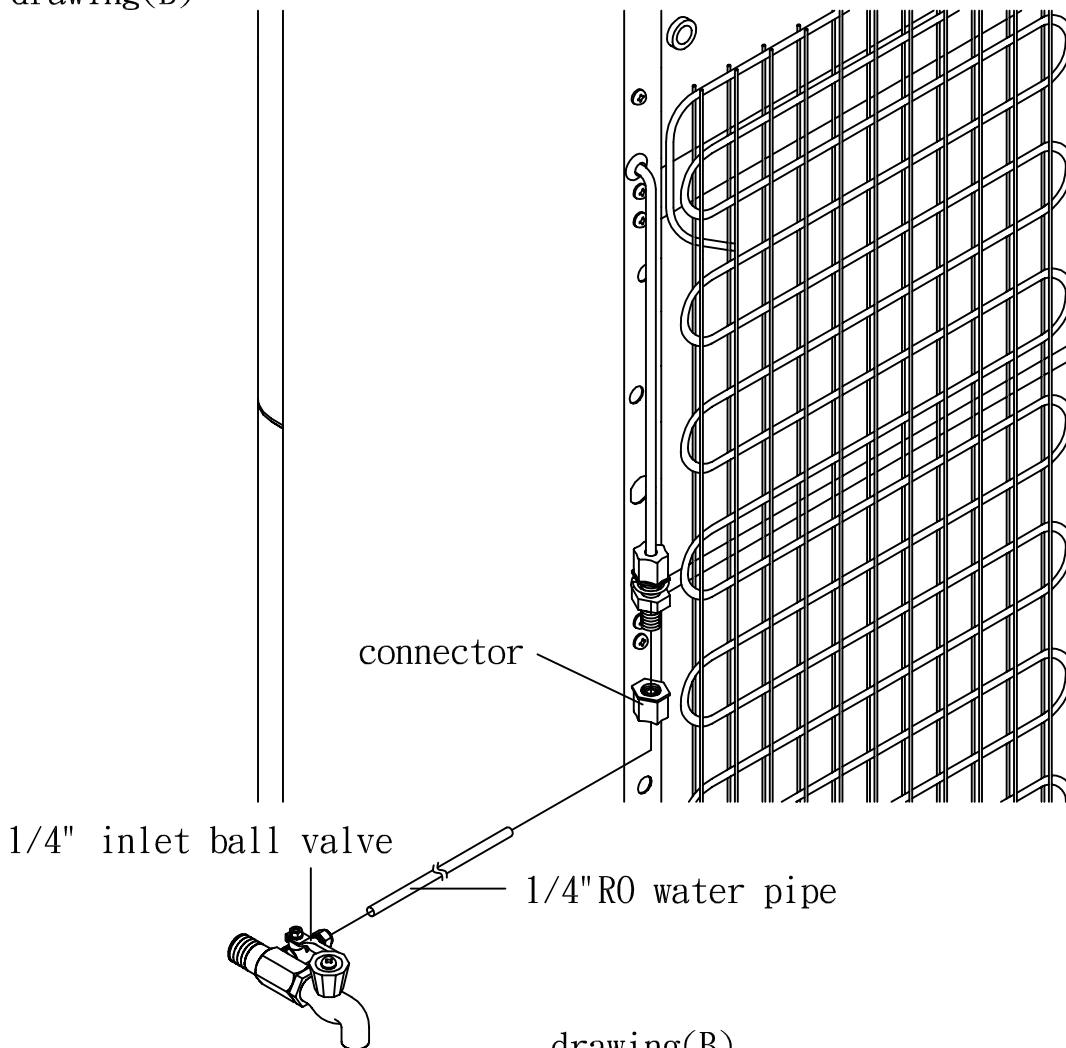
Water-in installation method :

1. Dismantle original water tap, add tri-way socket and inlet ball valve . see drawing(A)



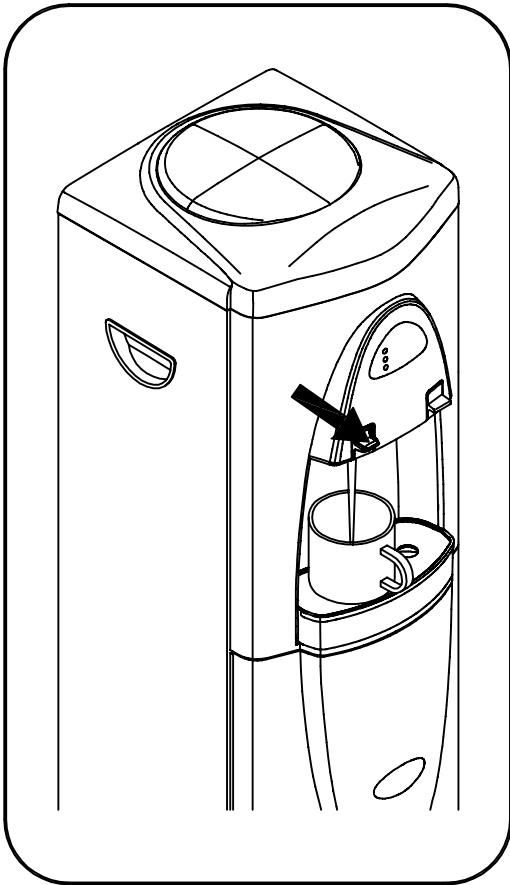
drawing(A)

2. Connect 1/4" RO pipe between inlet ball valve and inlet connector , see drawing(B)

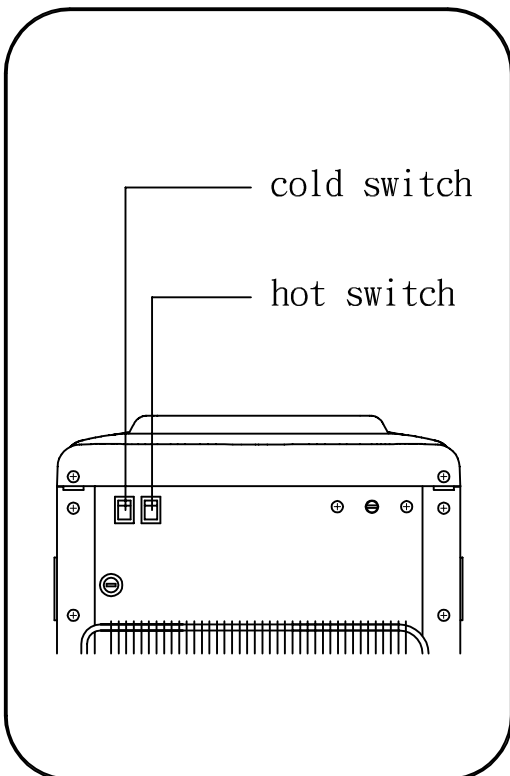


drawing(B)

Operation method

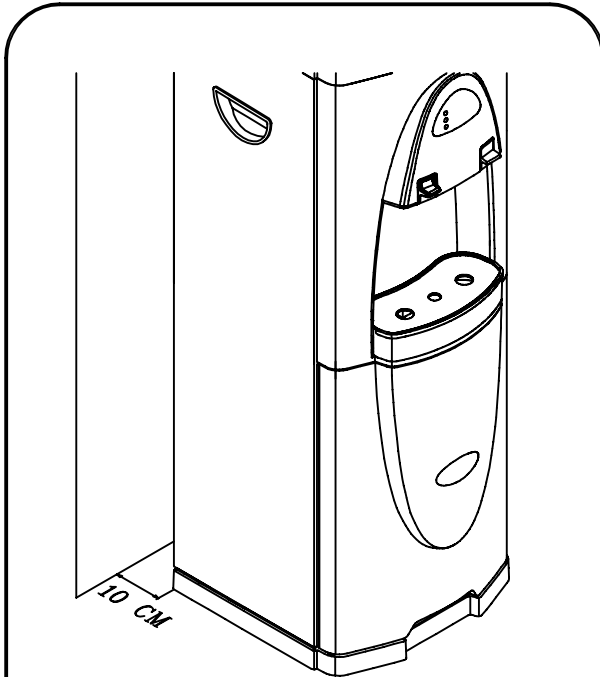


1. After completing the pipes installation, please turn off the switches of hot and cold water on the backside of unit first, then plug power cord into socket .
The water will be started to produce .
After water is full, drain out all the first round water and clean the cold and hot water tanks .
Then need to wait for the second round water making , after the water is full, press the hot-water and cold-water faucet to make the water drain out a little .
After all procedure is done , the water cooler is ready to use .

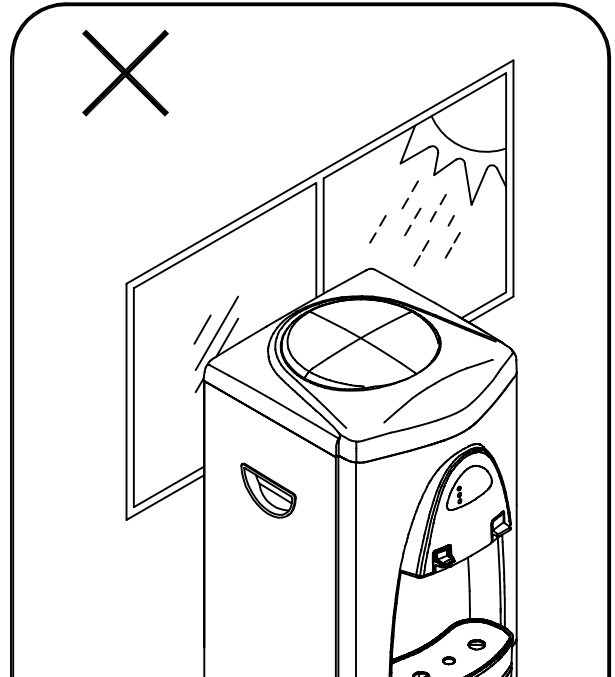


2. Turn on hot switch, the heating indication lens on front operation panel will go on, the unit proceeds with the heating function .
After water gets boiled, the heating lens will get off .
3. Turn on cold switch, it proceeds with chilling . Do not press the cold switch frequently . Also, do not re-turn on the cold switch until 3 minutes later after the water dispenser is off . Otherwise, the unit will get damaged . The cold-water temperature is set at 4-10°C .

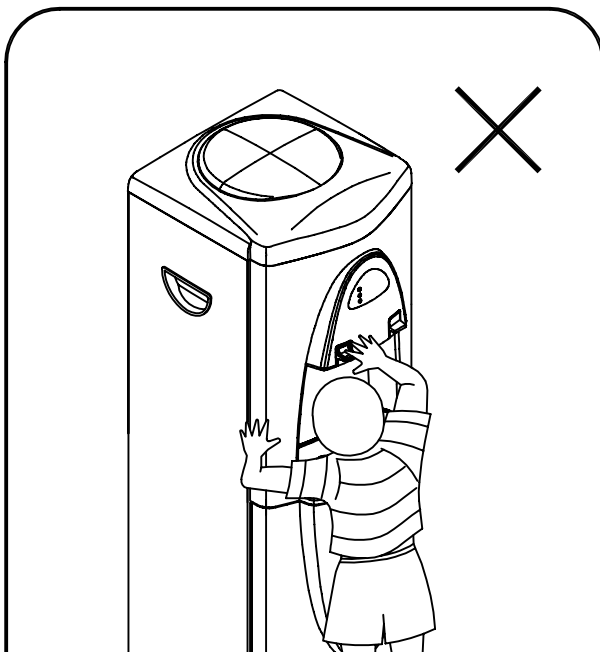
Precaution



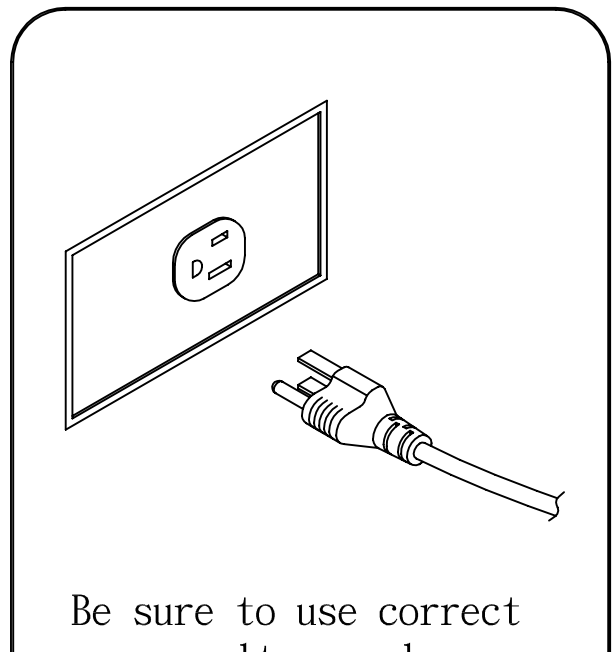
Provide a minmum of 10 cm space between wall and dispenser .



Keep the water dispenser away from sunlight .

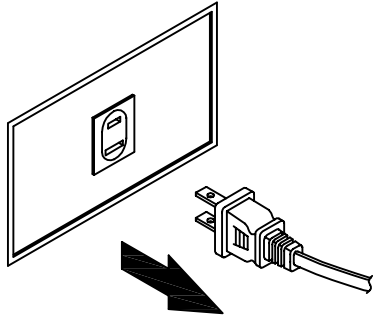


Do not put dispenser on a place where the kids can reach easily .

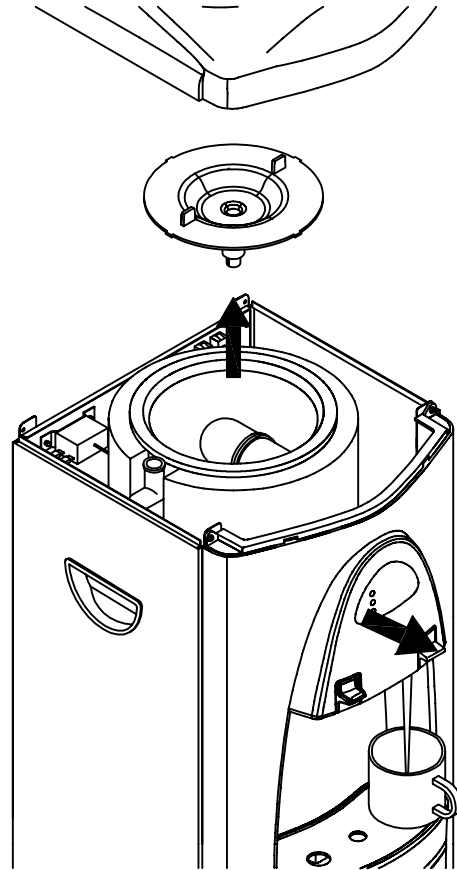


Be sure to use correct power voltage , plug power cord directly into electrical socket .

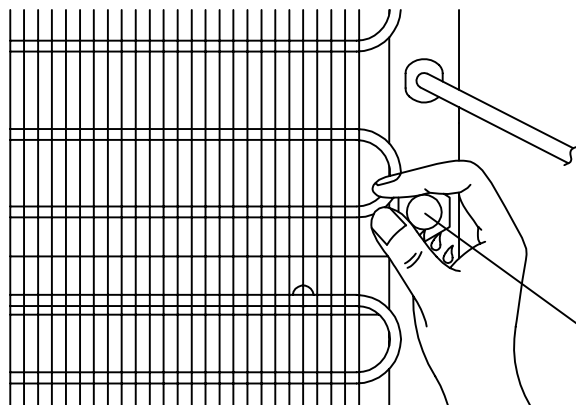
Cleaning & Maintenance



1. Please make sure the plug has been pulled out from outlet before cleaning the water dispenser .



2. Use screwdriver to remove the screws on the top cover, left and right plate . After removing top cover, get off the insulator board, press cold-water and hot-water taps, completely drain out all water . It is ready for clean .



3. Pull out water stop bolt, which can completely drain out water in cold-water and hot-water tanks .

water stop bolt

Caution: Please do not let water seep to interior of the unit to avoid damage .