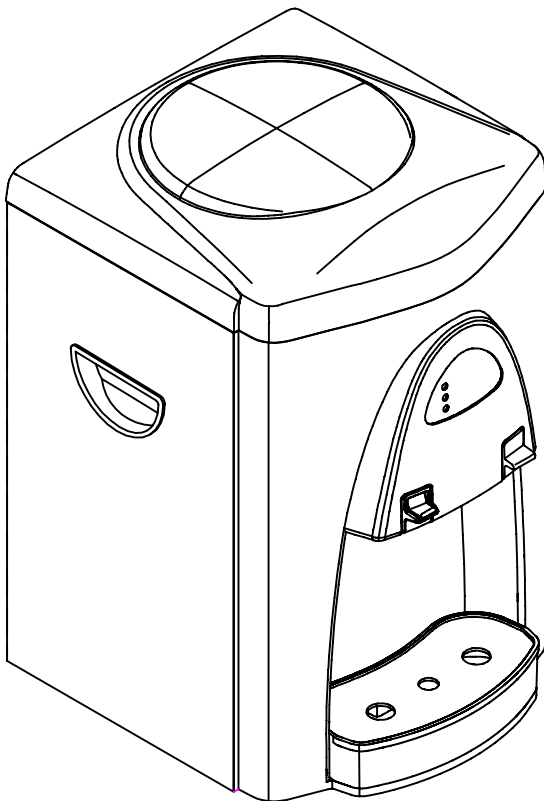

CW-528-A

Cold 、 Hot Water Dispenser

Operation Manual



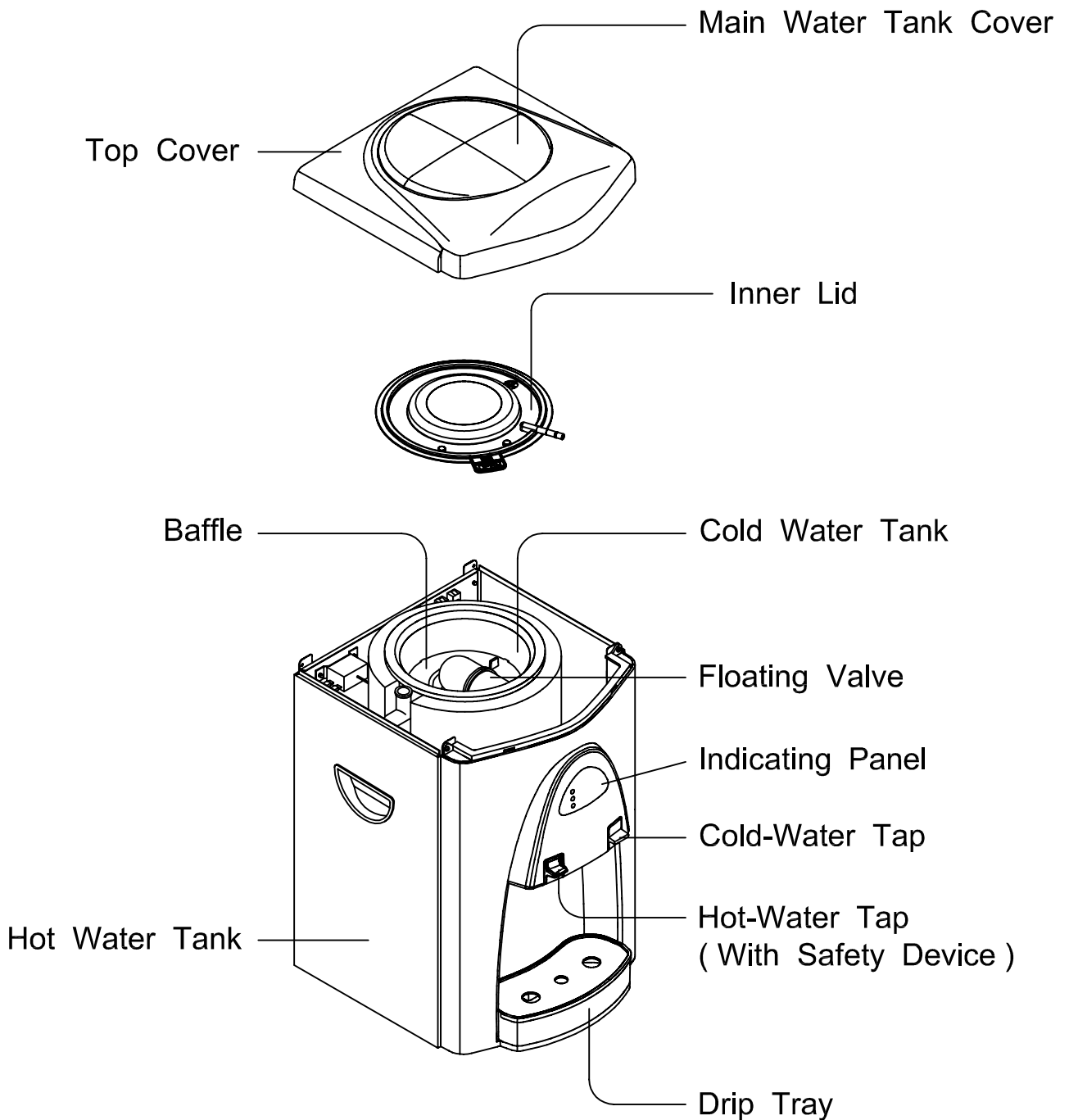
Contents	Page
Preface / Parts	1
Piping Installation	2
Operation Method	3
Safety Reminder	4
Cleaning & Maintenance	5

Please read these instructions completely before operating this unit

Preface / Parts

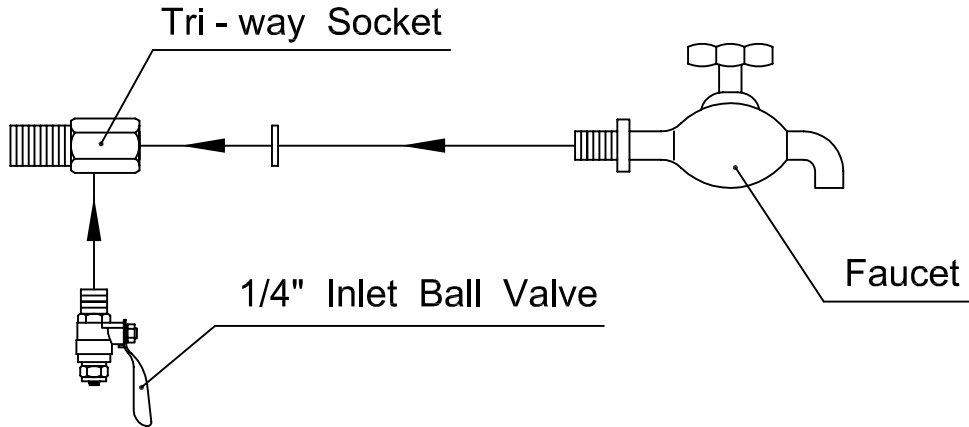
Before using this machine , we advise you to read this manual thoroughly .

Please follow the instructions to ensure proper operation and the lasting of the machine .



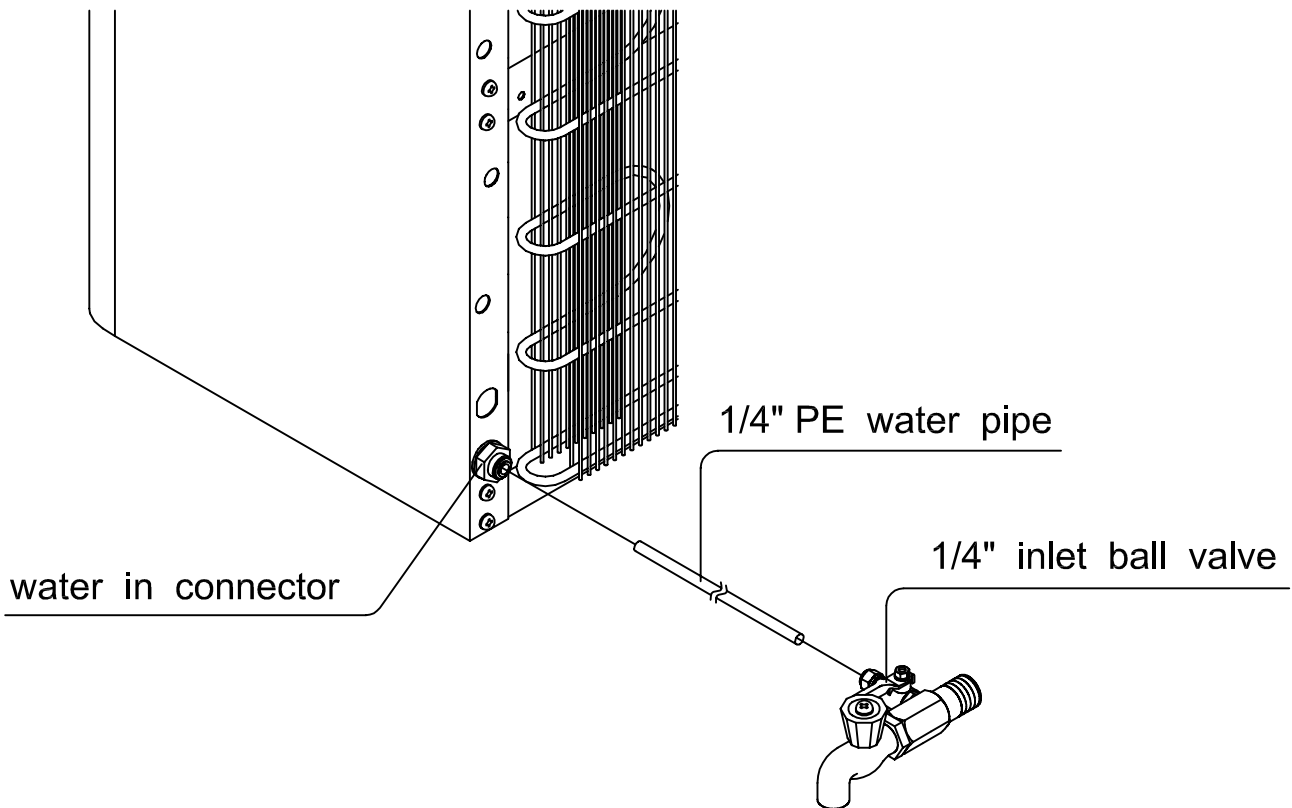
Piping Installation

1. Disassemble the original water tap. Then put on the tri-way socket and inlet ball valve. See drawing(A).



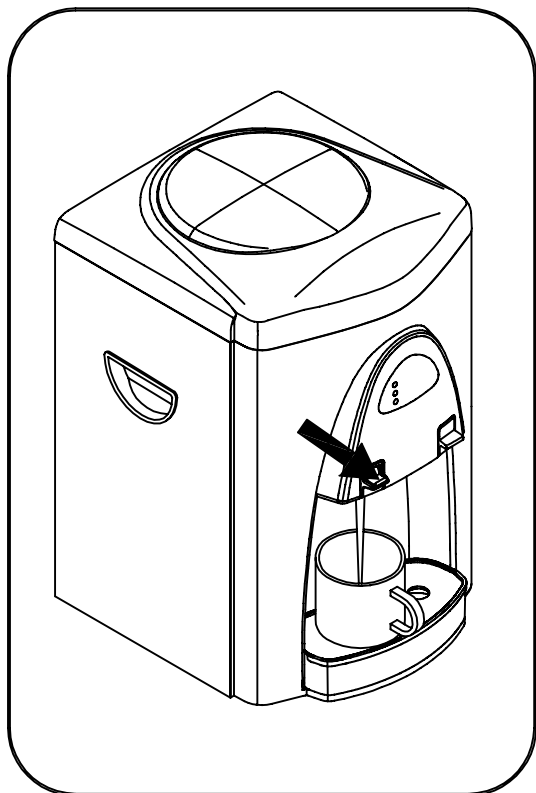
Drawing (A)

2. Connect the 1/4" PE water pipe between inlet ball valve and inlet connector. See drawing (B).

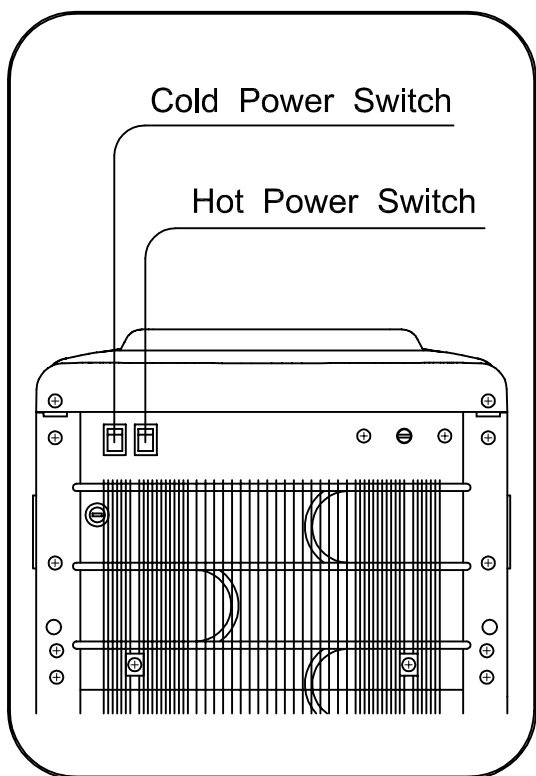


Drawing (B)

Operation Method



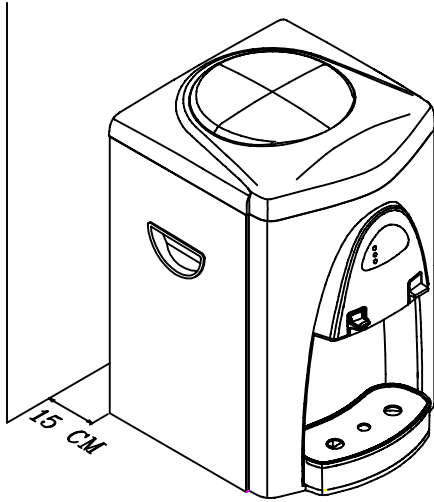
1. After completing the pipe installation, please turn off the cold and hot power switches on the back of the unit first, then connect the unit with electricity. Water will start to flow into the unit. When the tanks are filled, drain out the first round of water as to clean the cold and hot tanks. Wait for the water to be filled the second time. Press the cold and hot water taps and see if water comes out and the unit is ready for use.



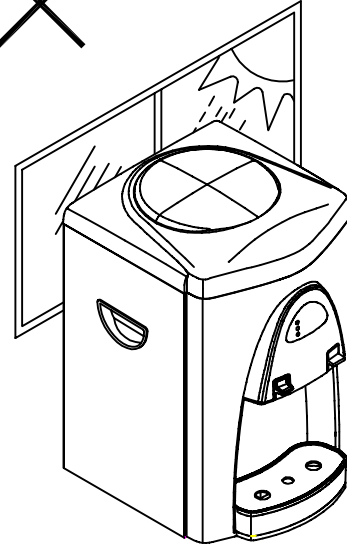
2. Turn on the hot power switch, the heating indicator on the indicating panel will go on and heating starts. When the indicator goes off, heating is done.

3. Turn on the cold power switch, chilling will start. Please do not switch on and off the cold power frequently. When the cold power is turned off, must wait for three minutes to turn on again. This is to protect the unit and prevent it from damaging. The cold water temperature is set at 4-10°C.

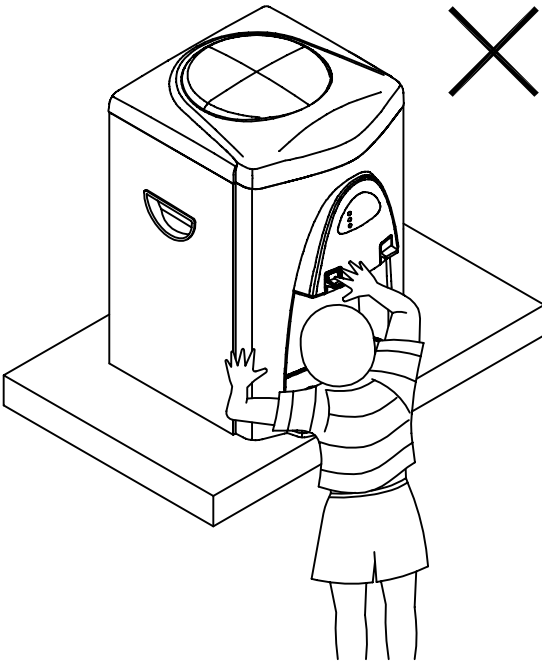
Safety Reminder



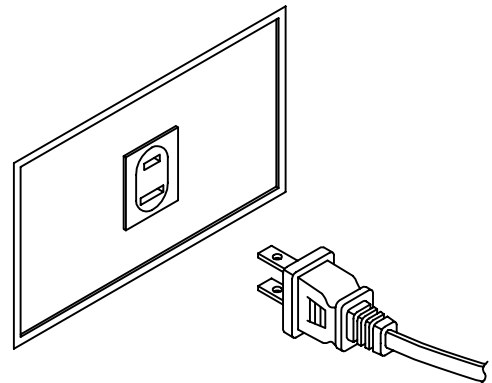
Leave a space no less than 15cm between the wall and dispenser.



Keep the machine away from sunlight , heat , and wetness.

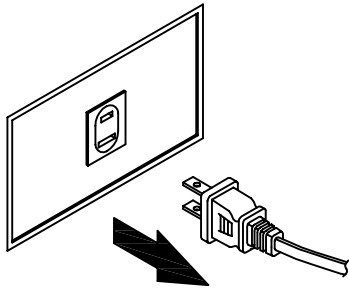


Do not put dispenser on a place where the kids can reach easily .

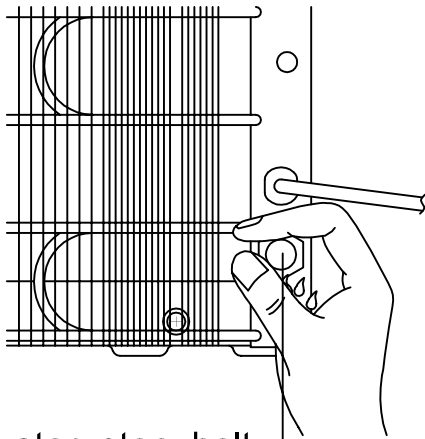


Be sure to use single outlet socket with correct power voltage. Plug the power cord directly into electrical socket .

Cleaning & Maintenance

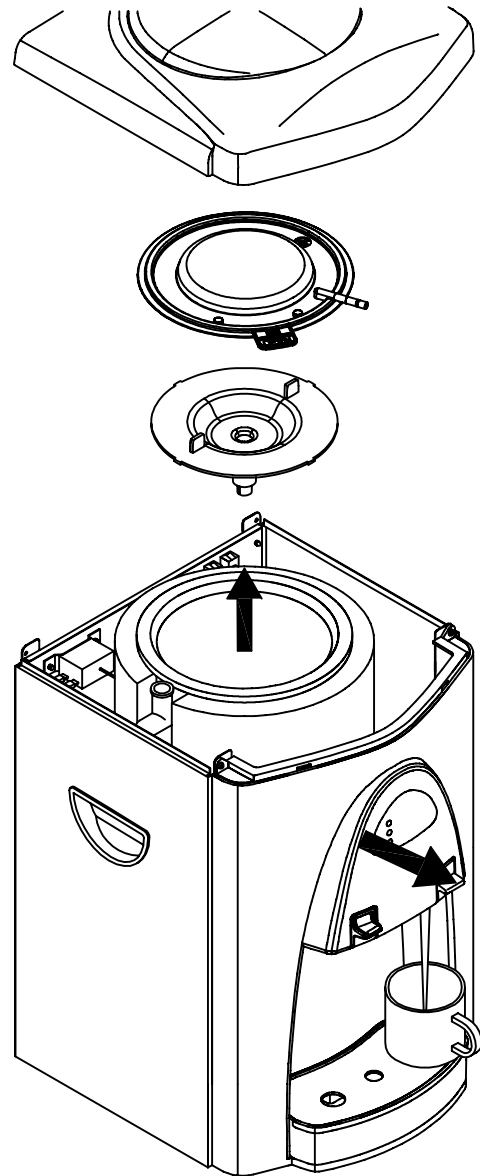


1. Please make sure the machine is completely disconnected from electricity before cleaning.



water stop bolt

3. Pull out the water stop bolt and let the remaining water in the tanks to flow out. Cleaning may start when the tanks are completely out of water. Please make sure to put the water stop bolt back when cleaning is done.



2. Remove the screws on the top cover, left and right plates. Then remove the top cover, inner lid, and the insulator board inside the unit. Press the hot and cold water taps to drain out the water.

Caution: For your safety, please contact your distributor or qualified technician for repair when the water dispenser is damaged.