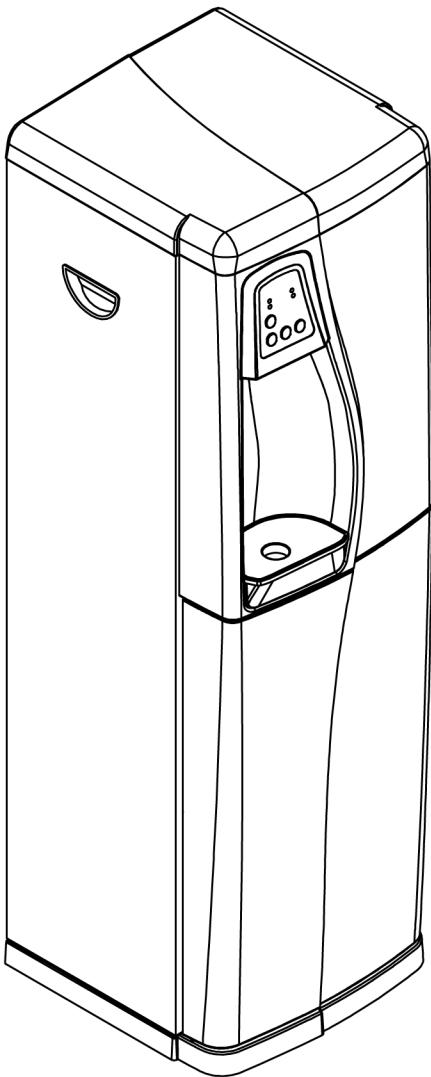


# CW - H698 Series

## Water Dispenser Operation Manual



Contents	Page
Preface / Parts . . . . .	1
Flow Chart of Water Producing . . . . .	2
Piping Installation . . . . .	3
Cold / Hot Operation Method . . . . .	4,5
Procedure of CO <sub>2</sub> Bottle Installation . . . . .	6
Soda Operation Method . . . . .	7
Replacement of Filters . . . . .	8
Safety Reminder . . . . .	9
Cleaning & Maintenance . . . . .	10
Problem Shoot . . . . .	11

Please read these instructions completely before operating this unit

---

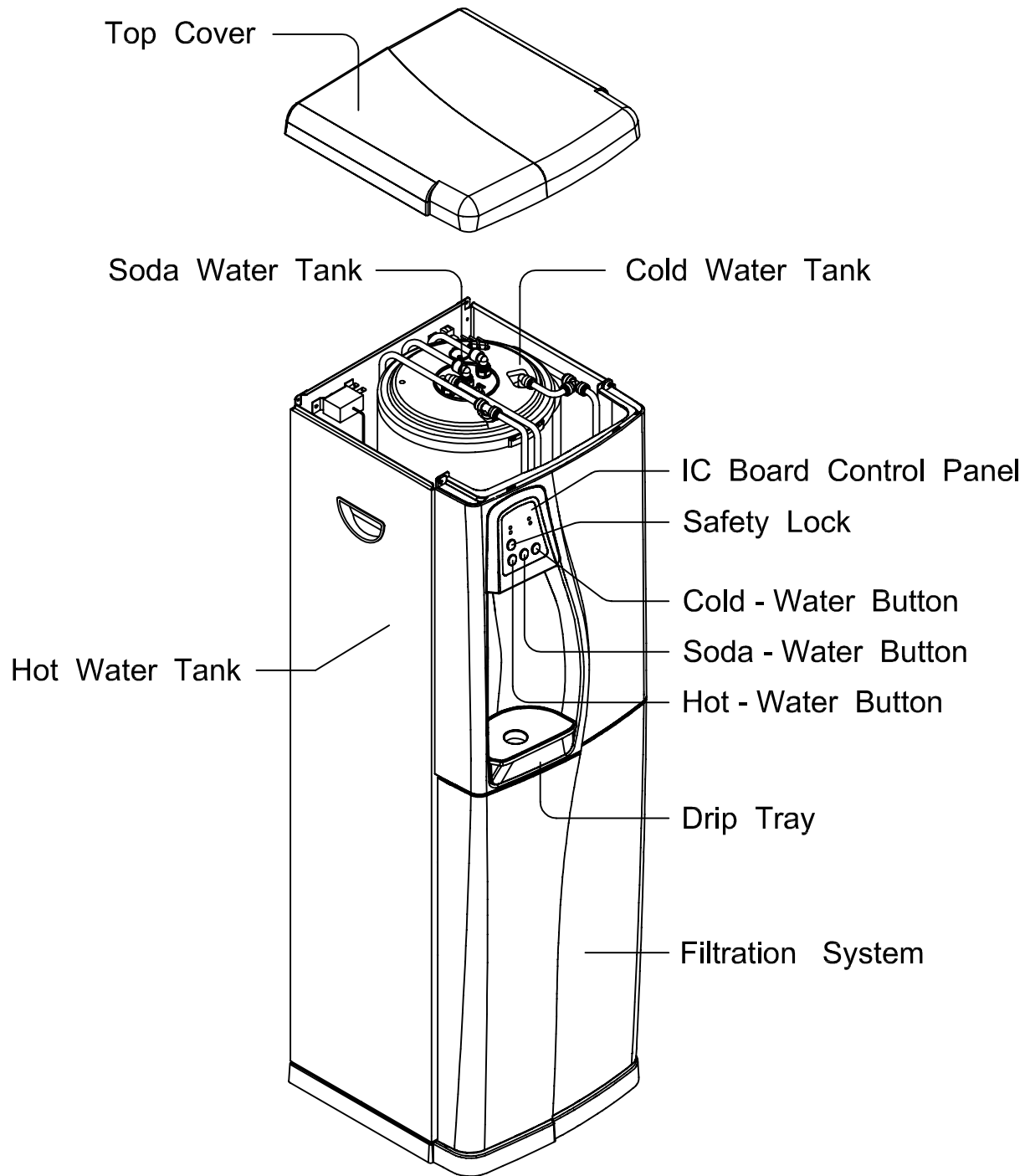
---

# Preface / Parts

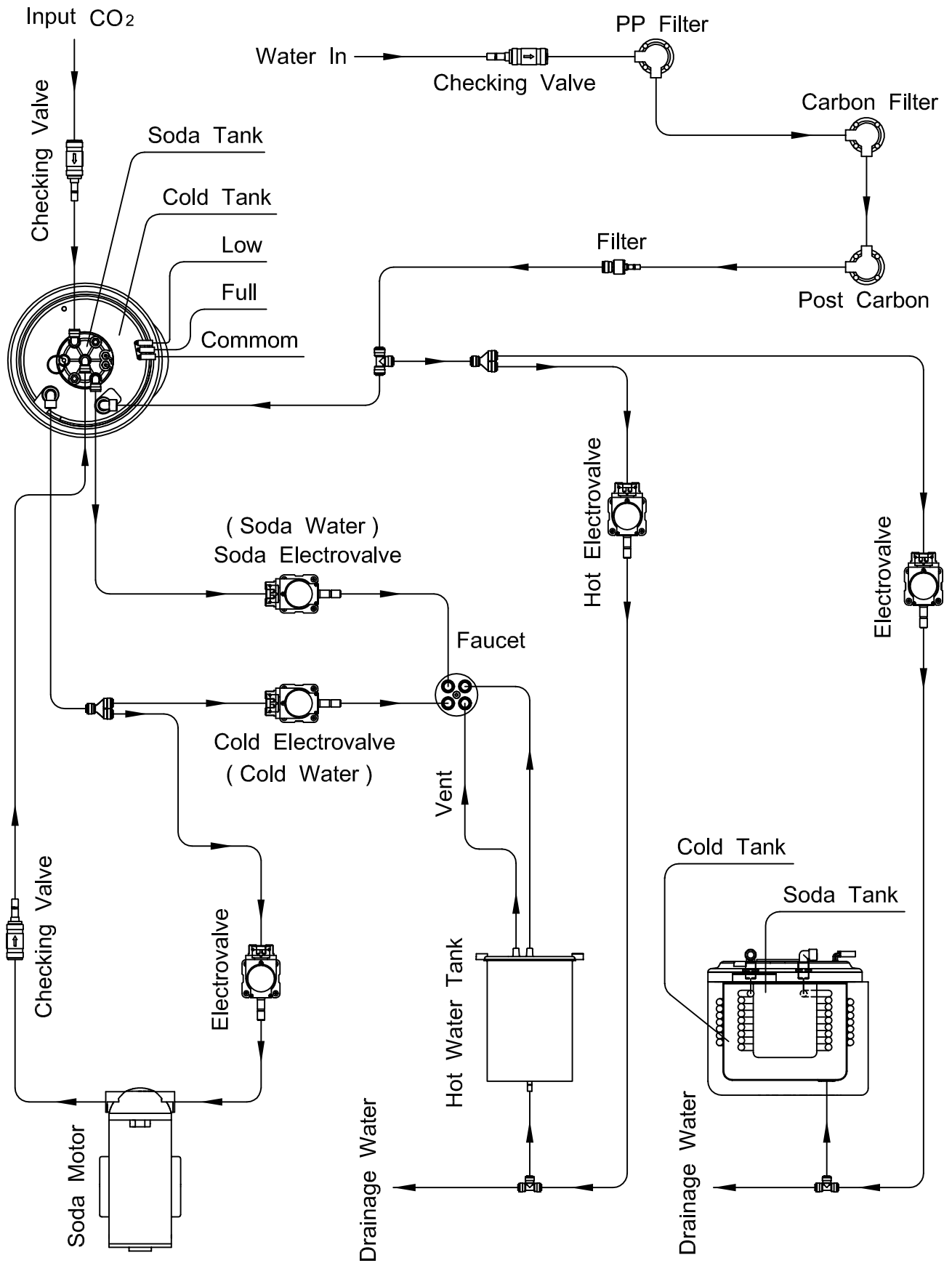
---

---

Before using this machine ,we advise you to read this manual thoroughly . Please follow the instructions to ensure proper operation and the lasting of the machine .

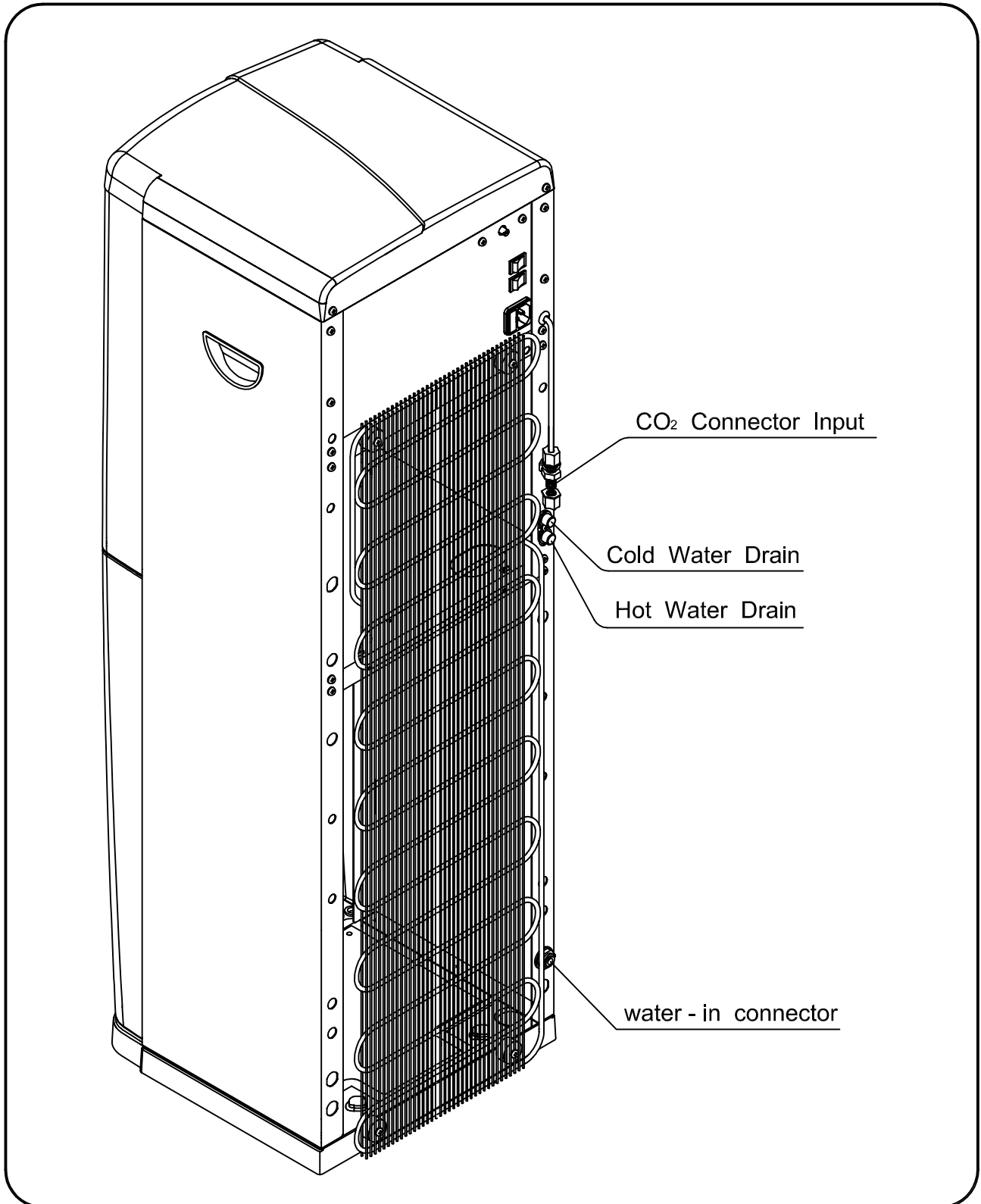


# Flow Chart of Water Producing

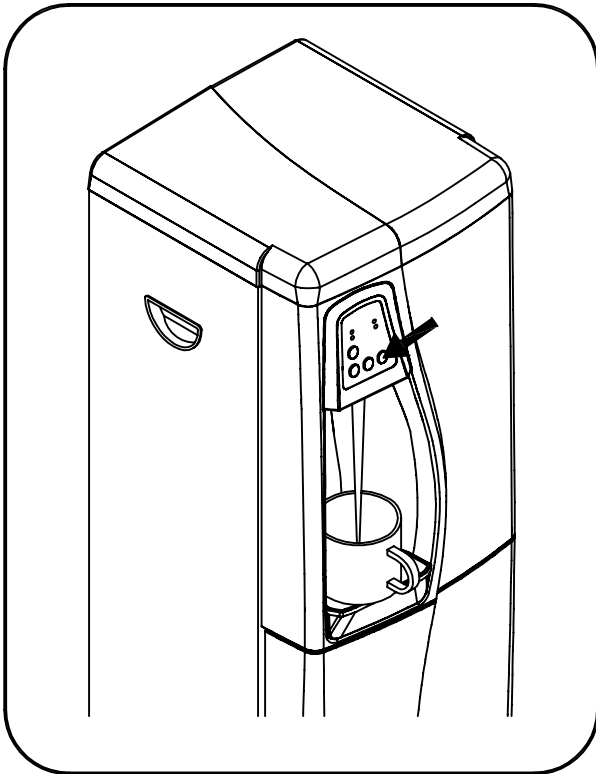


# Piping Installation

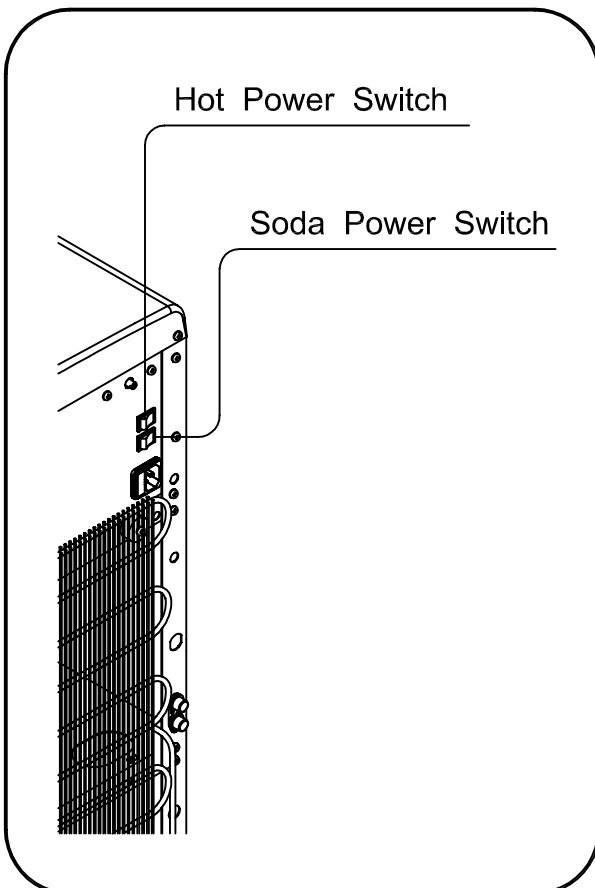
Insert  $\frac{1}{4}$ " PE water pipe to the CO<sub>2</sub> and water - in connector for CO<sub>2</sub> and water supply.



# Cold / Hot Operation Method



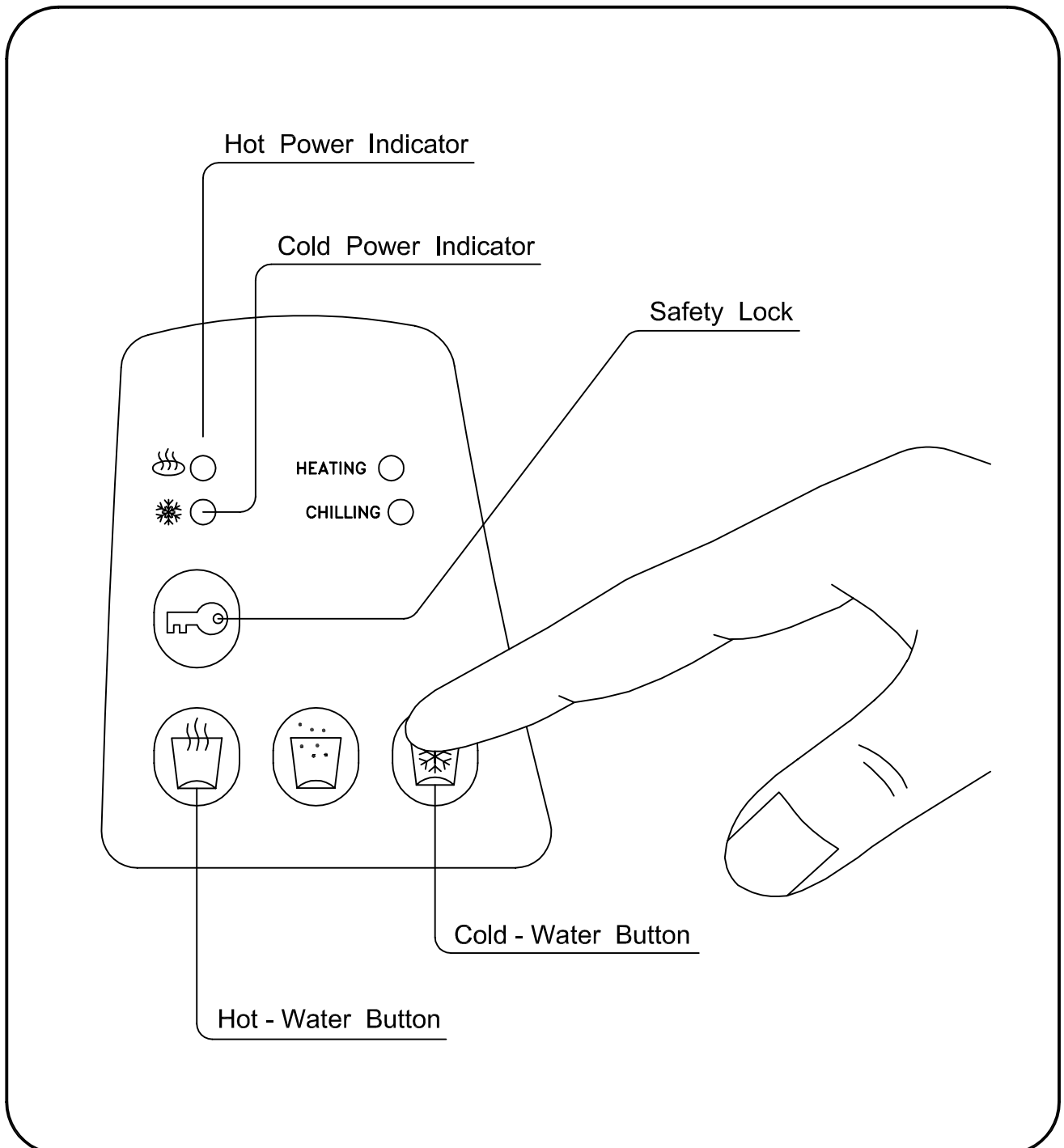
1. After completing water - in piping , the tanks will begin to fill with water. Put the plug in the socket and the indicator lights will be on. Try pressing the cold water button to see if water comes out. When water flows out of the dispenser , the cold power switch may be turn on and it is ready to use. Please do not turn on the power switch until water flows out of the machine to avoid damage.



2. When water flows out of the dispenser , the power switches may be turned on. Please do not switch on the power until water comes out of the tap to avoid damage.

# Cold / Hot Operation Method

3. Chilling and heating proceeds when the power are switched on.  
When chilling and heating are done, cold and hot water will be ready to serve. The temperature of cold water is set at 4 to 10°C .  
When the temperature for hot water is not high enough, the machine will reheat automatically.



---

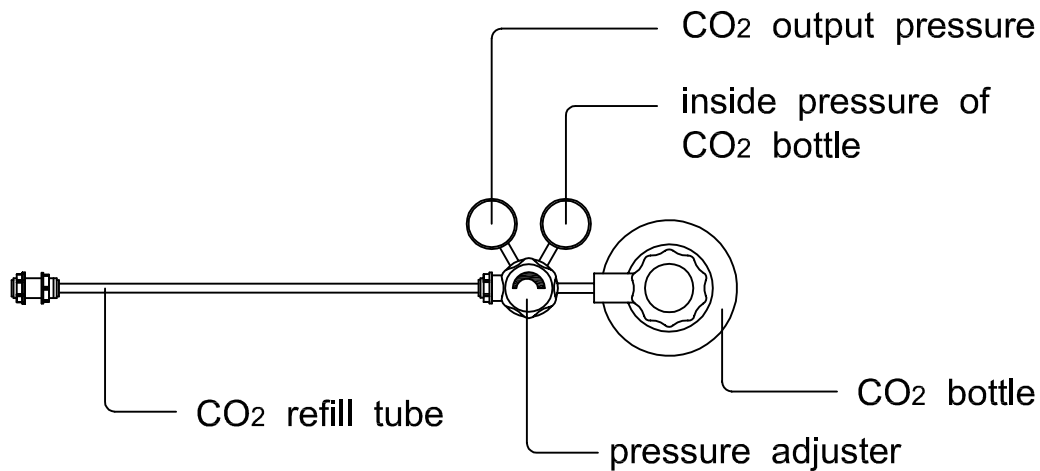
---

# Procedure of CO<sub>2</sub> Bottle Installation

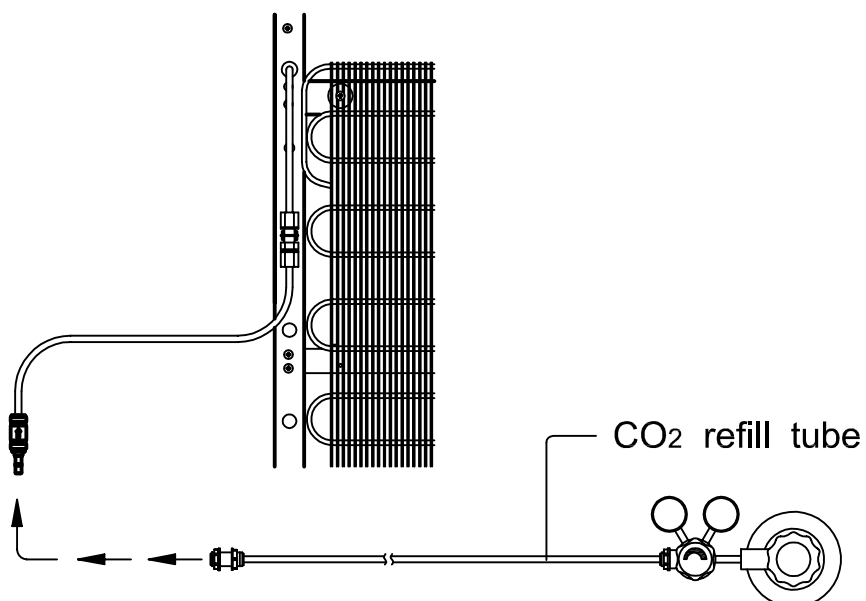
---

---

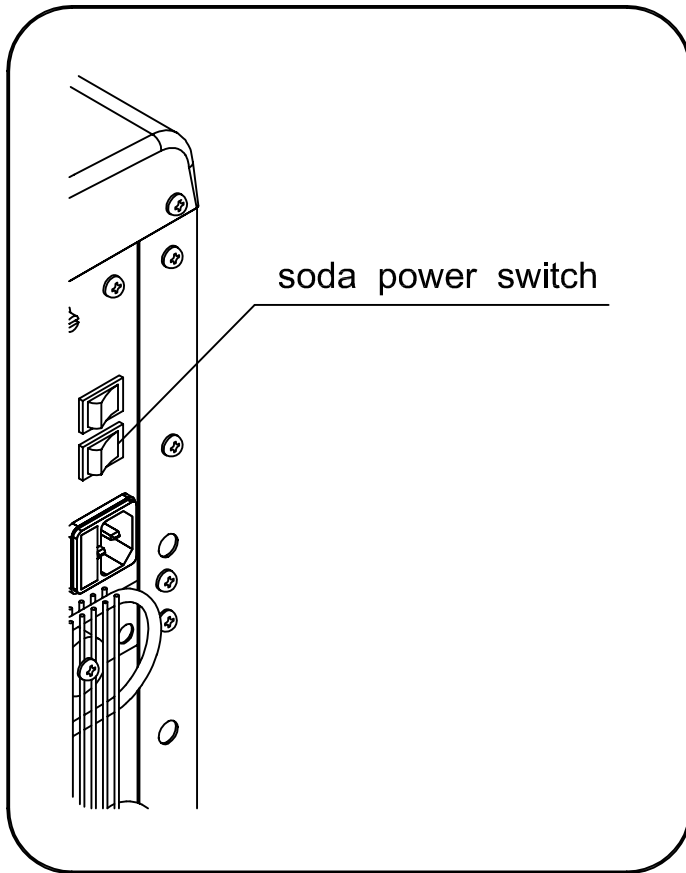
1. Please prepare a CO<sub>2</sub> bottle and pressure adjuster. Connect the CO<sub>2</sub> bottle to the dispenser with the pressure adjuster as shown in the drawing below . First , connect the refill tube to the pressure adjuster , then connect the pressure adjuster to the CO<sub>2</sub> bottle .Before installing the CO<sub>2</sub> bottle , be sure it is closed and the output pressure is under 5kg ( 70 psig ) .



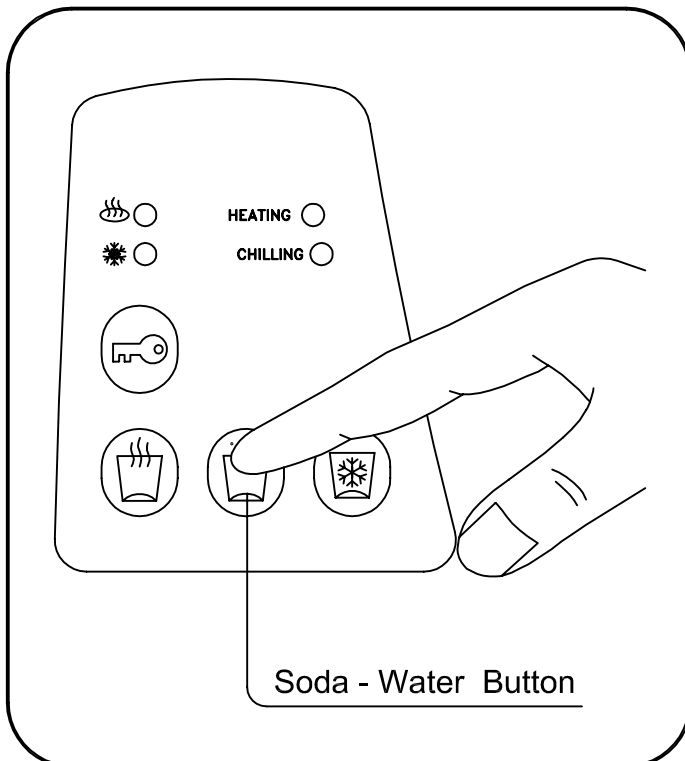
2. Connect the dispenser to the assembled CO<sub>2</sub> bottle .  
Make sure again that the pressure is under 5kg ( 70 psig ) in order to keep machine from malfunctioning .



# Soda Operation Method



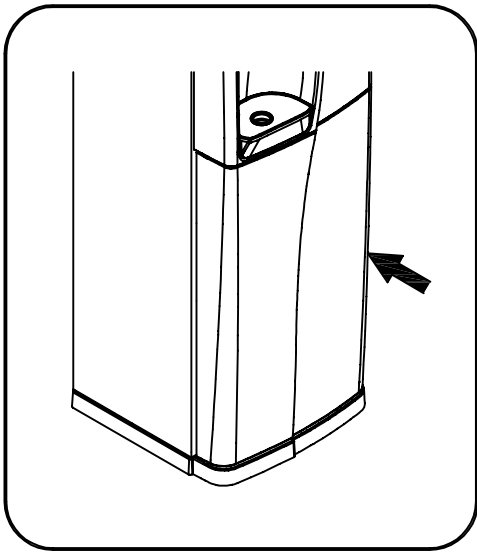
1. After completing the CO<sub>2</sub> bottle installation , turn on the soda power switch .



2. Drain out the first round of soda water in the tank . The newly produced soda water is ready to serve .



# Replacement of Filters

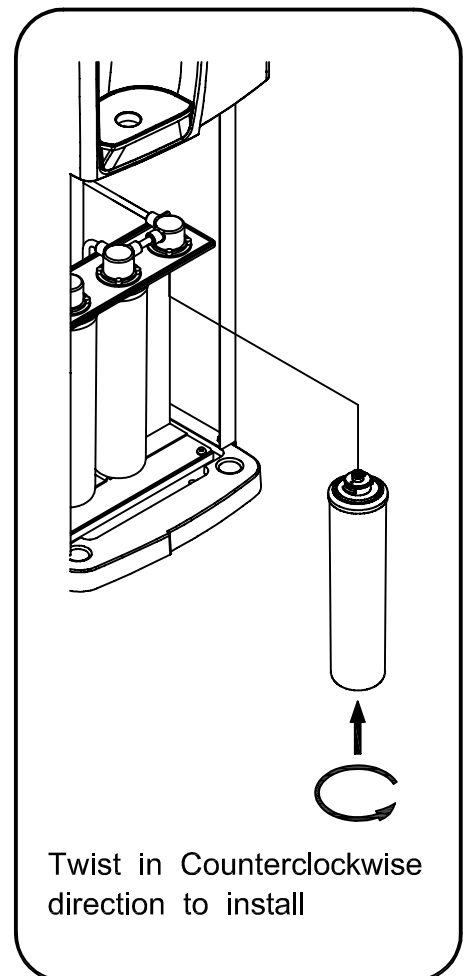
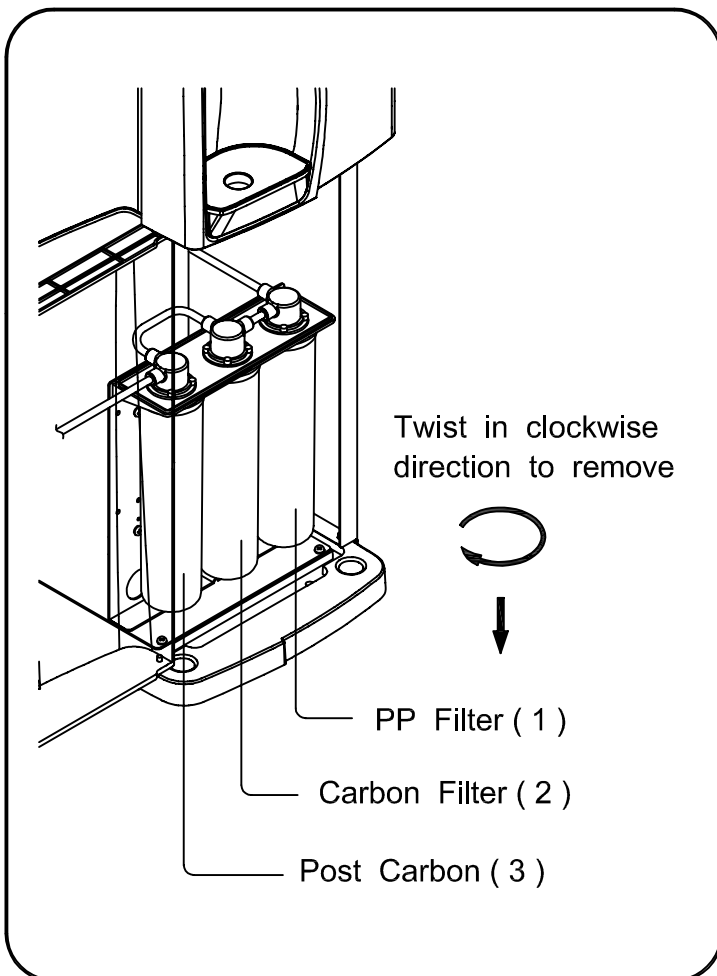


## Filter Replacement Procedure :

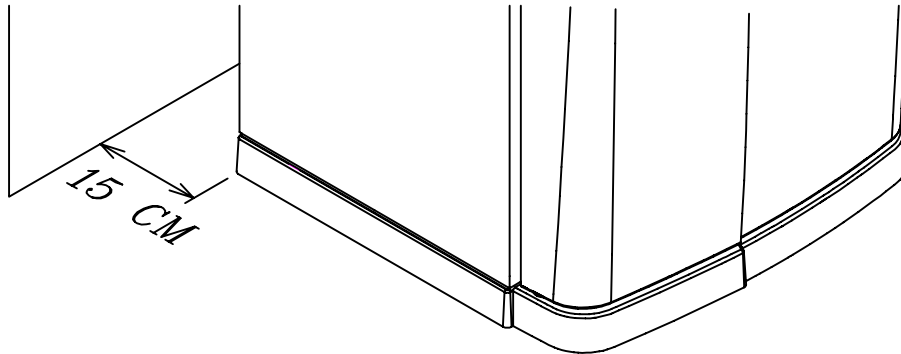
1. Open the lower front plate from the right side as where the arrow is pointing and the filters may be seen .
2. To remove the filter , twist it in clockwise direction .  
And for installation , please screw it in the opposite direction .

Please change the filter according to its life expectancy for best drinking water quality .

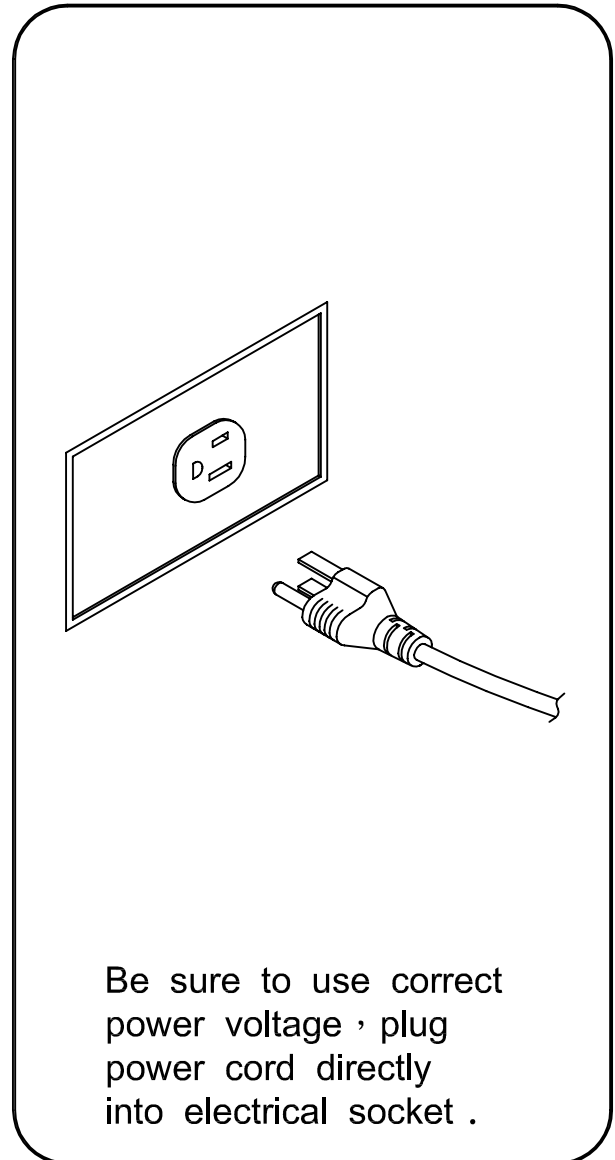
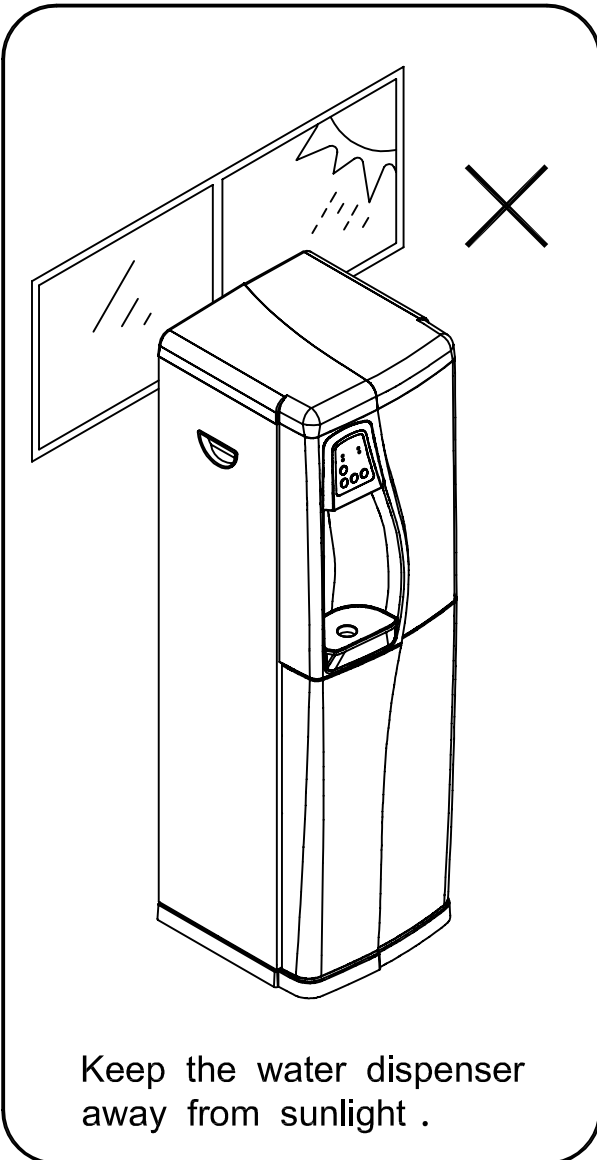
- a. PP Filter ( 1 ) --- every 6 months
- b. Carbon Filter ( 2 ) --- every 6 months
- c. Post Carbon ( 3 ) --- every 6 months



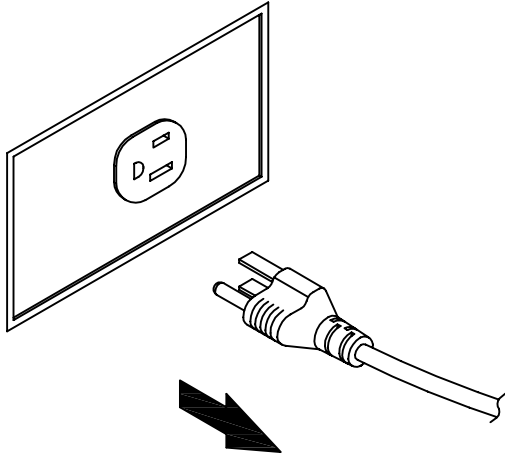
# Safety Reminder



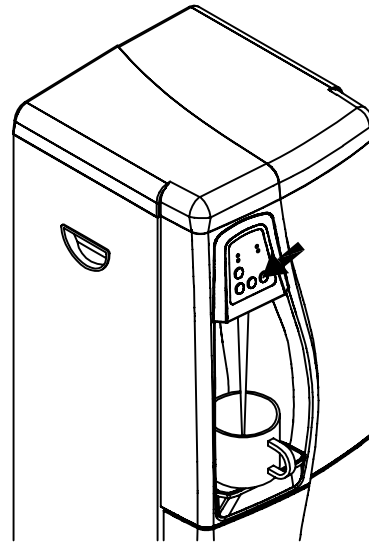
Provide at least 15cm space between wall and dispenser .



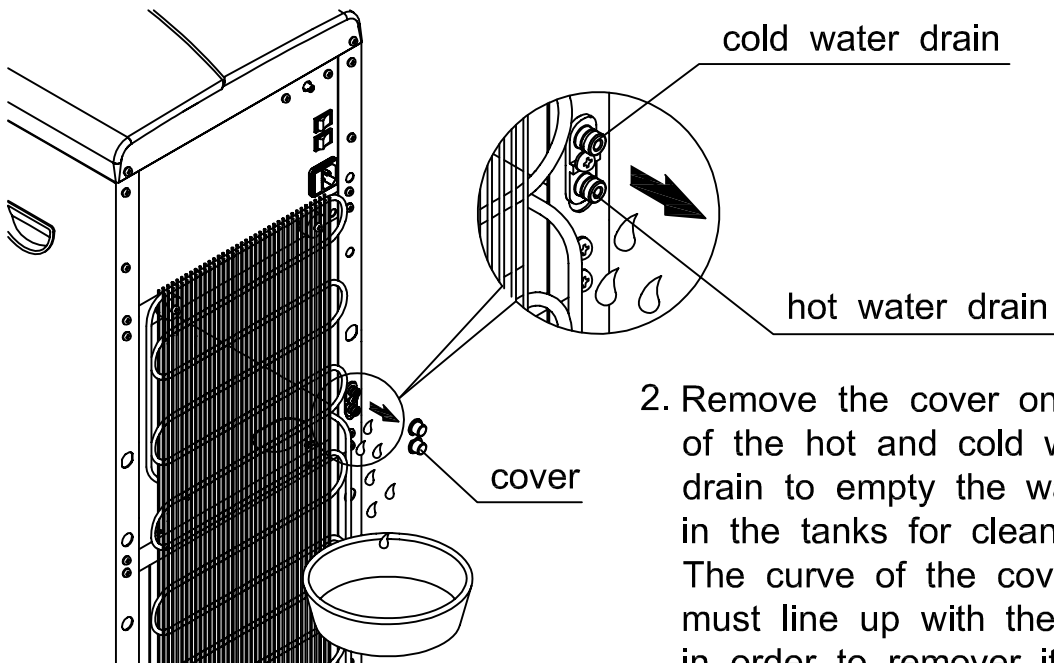
# Safety Reminder



1. Please make sure the machine is completely disconnected from electricity before cleaning.



2. Press the cold , hot and soda water button to drain out the water.



2. Remove the cover on top of the hot and cold water drain to empty the water in the tanks for cleaning . The curve of the cover must line up with the screw in order to remove it .

For your safety , please contact your distributor or qualified technician for repairment when the water dispenser is damaged.

# Problem Shoot

Defection status	Possible reasons to cause defection	Solution
Hot water is unable to heat	1. Power switch is not turned on	Turn on power switch
	2. Water inside tank does not reach safe level	Refill water
	3. Short Circuit	Reset thermostat
	4. No power from outlet	Switch a new outlet
	5. Problem with thermostat or ICB	Ask for service people
No cold water	1. Cold temperature knob is off	Please turn the cold temperature knob clockwise the digit of 5
	2. Refrigerant is short	Ask for service people
	3. Problem on compressor or thermostat	Ask for service people
No cold water from tap	1. Ice block	Please turn off the cold power switch and let it remain for 24 hours to allow the ice block to melt
	2. No water inside the cold water tank	Please check mains water supply If water supply is fine , please check the RO system
RO system not working	1. Insufficient pressure of water supply	Make sure the water source is ok
	2. 1 <sup>st</sup> stage filter got stuck	Please replace with new filter
	3. Problem on hi-pressure or low-pressure switch or booster pump	Please ask for service people
Soda not working or no soda water from tap	Water is insufficient	Please refill water and check RO system
	2. Soda power is off	Turn on Soda Power switch
	3. CO <sub>2</sub> output pressure is too much that makes water dispenser gets short	Please close the CO <sub>2</sub> bottle and release the pressure from pressure regulator. Press the Soda-Water tap to drain out the water and release the pressure inside the tank. Turn off the Soda Water switch when soda water is all drained out. Re-open the CO <sub>2</sub> bottle and set the CO <sub>2</sub> output pressure under 5 kilo ( 70 psig ). Turn on the Soda Power switch again to start producing soda water.
Bubble of soda is insufficient	1. CO <sub>2</sub> run out	Refill CO <sub>2</sub>