

# M107U

## Under Sink

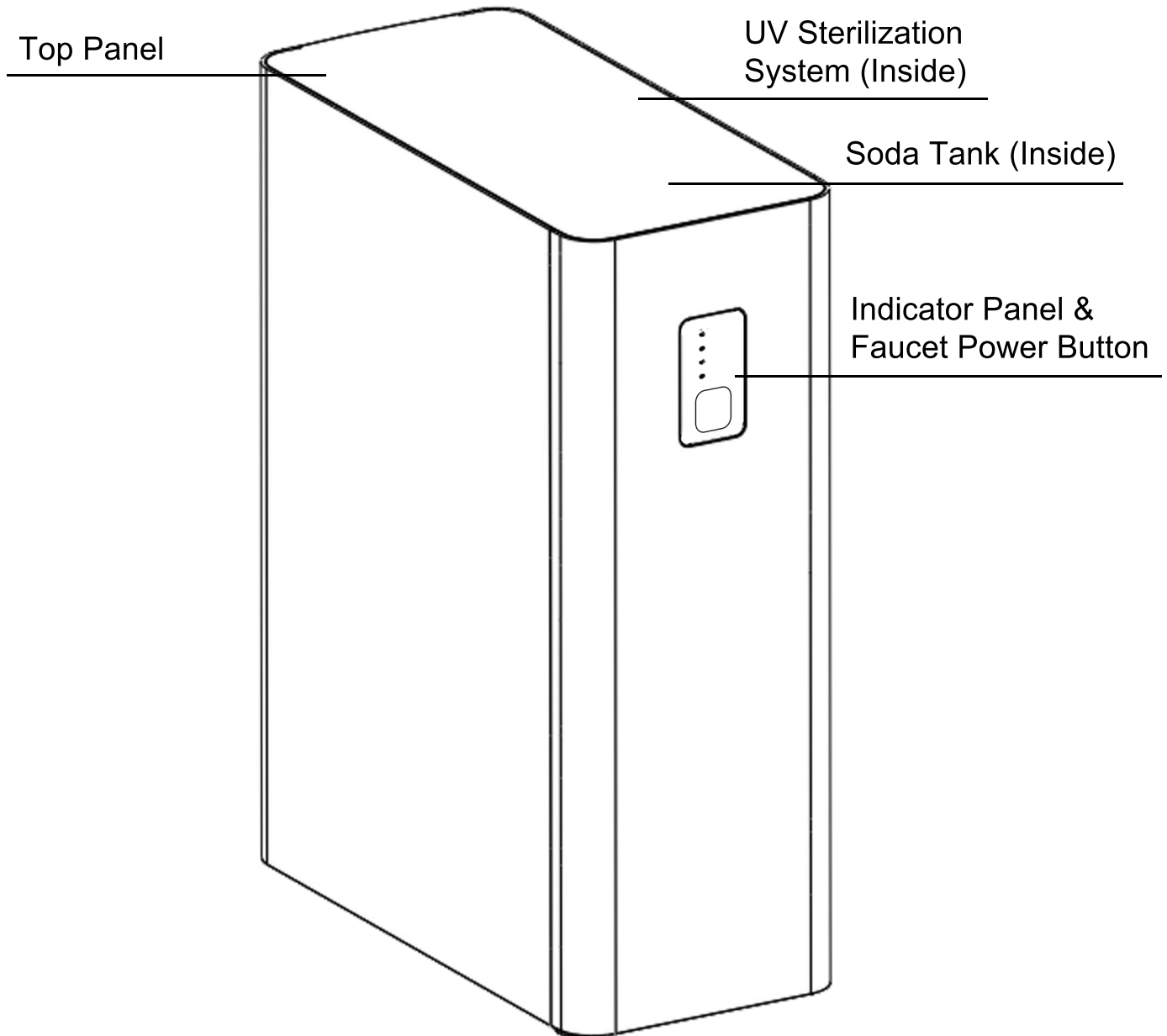
### Sparkling Water Dispenser Operation Manual



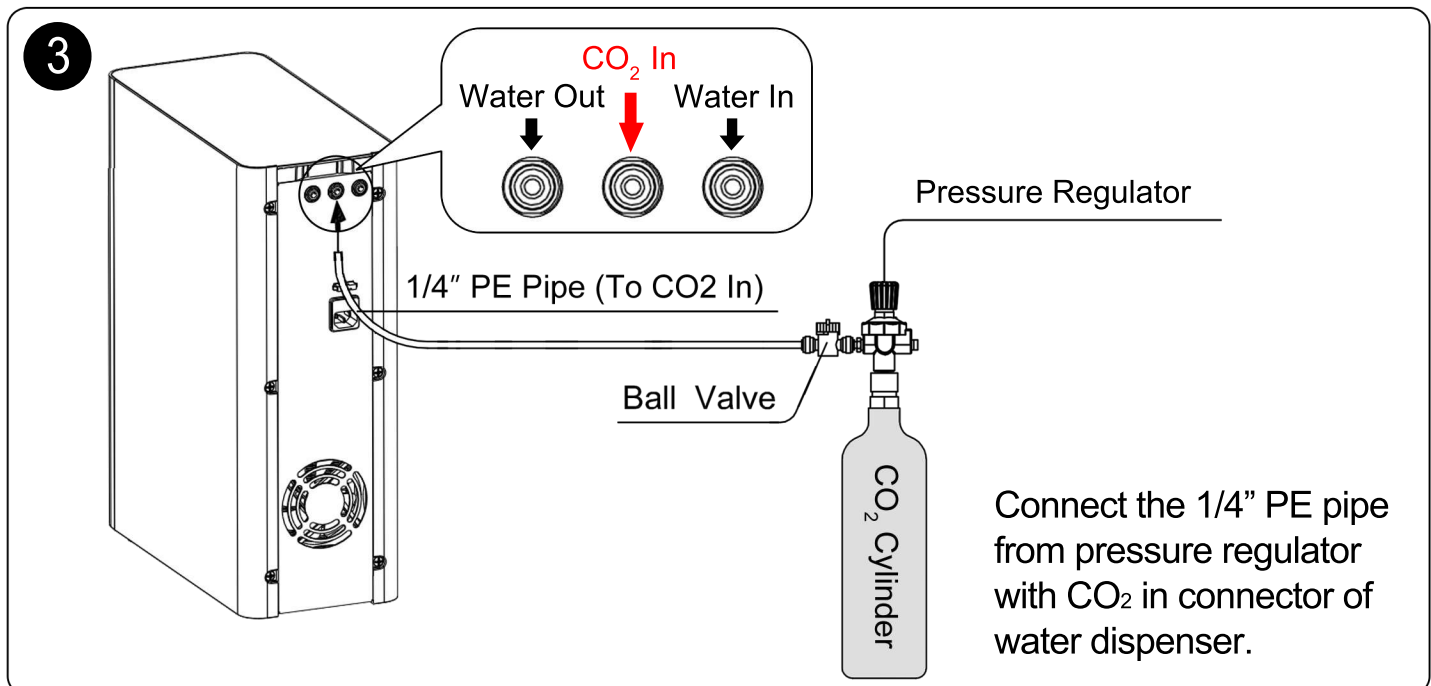
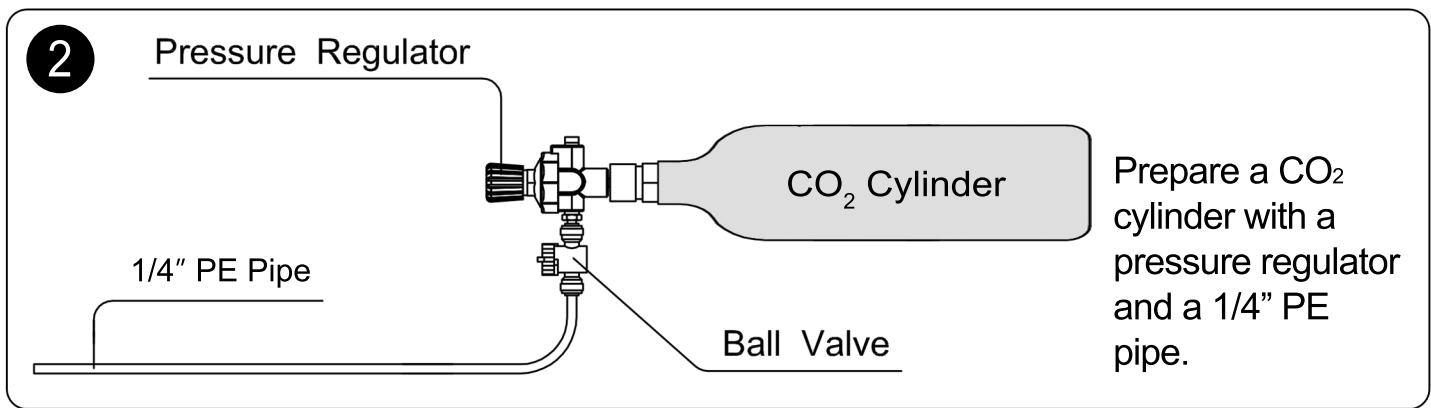
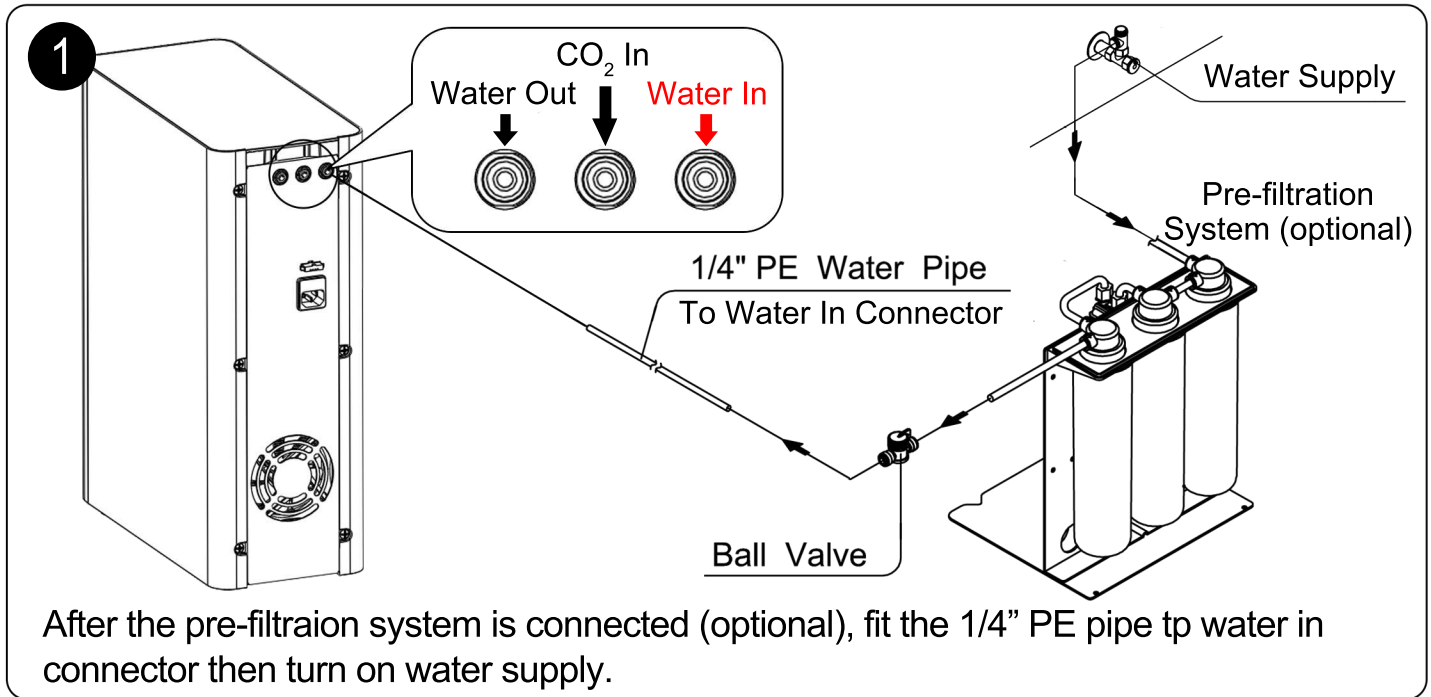
Please read these instructions completely before operating this unit

# PREFACE/PART

**Before using this machine, please read this manual thoroughly, and follow the instructions for proper operation, in order to prevent risks or damage.**

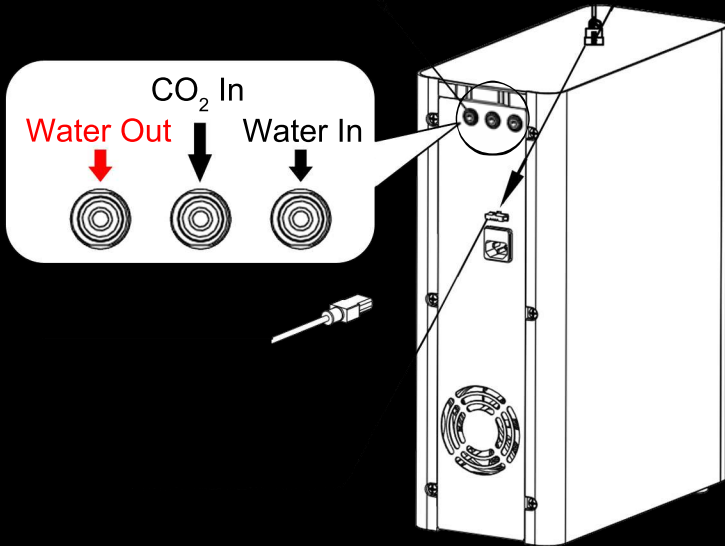


# INSTALLATION

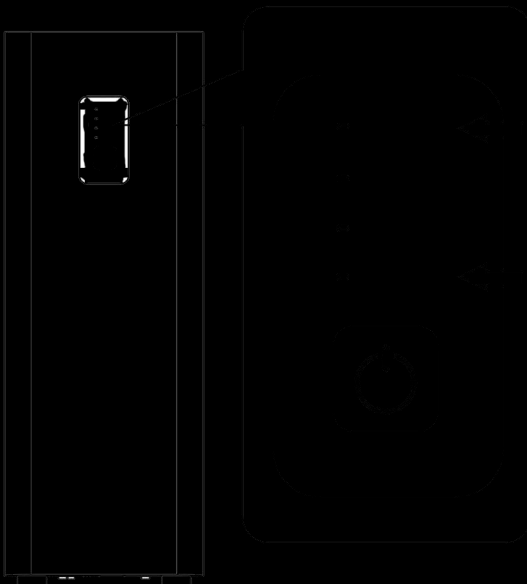


# INSTALLATION

4



5



# INSTALLATION

6

For faucet F101



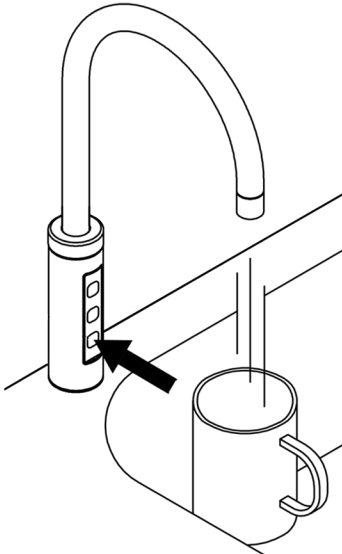
Cold Water



Ambient Water



Sparkling Water



For Faucet F201



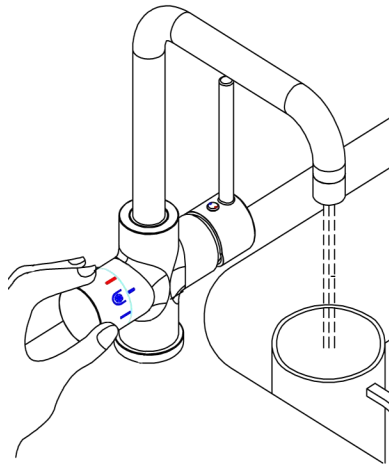
sparkling water



cold water



Ambient water



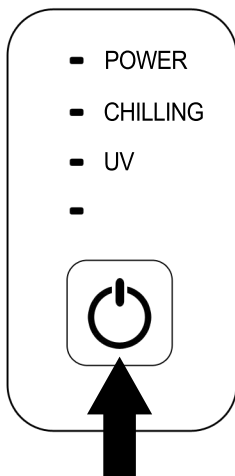
Dispense some ambient or cold water (1.5 to 2 liter) to flush filters and ensure water flow is normal.

This is important to ensure drinking water quality.

For secure reason, each time water dispensing is limited for maximum 60 seconds. If more water is needed please press button again.

7

After installation is done, press the soda power button to enable sparkling water function then wait 1 to 2 hours.



Soda Power Button

**POWER** indicator: Electricity is connected, and system is working, the light will be on.

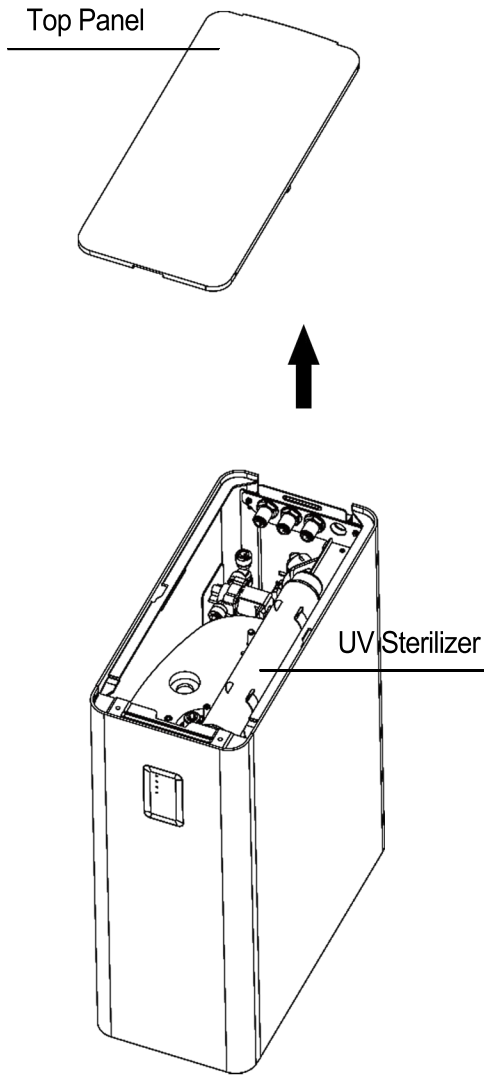
**CHILLING** indicator: the light indicates chilling system status, light will be on/off when cold power switch is turned on.

**UV** indicator: the light is on when UV system starts working. If the UV lamp is failed, the light will be flashing.

**CO<sub>2</sub>** indicator: When CO<sub>2</sub> gas is insufficient light will be off to remind user to replace cylinder.

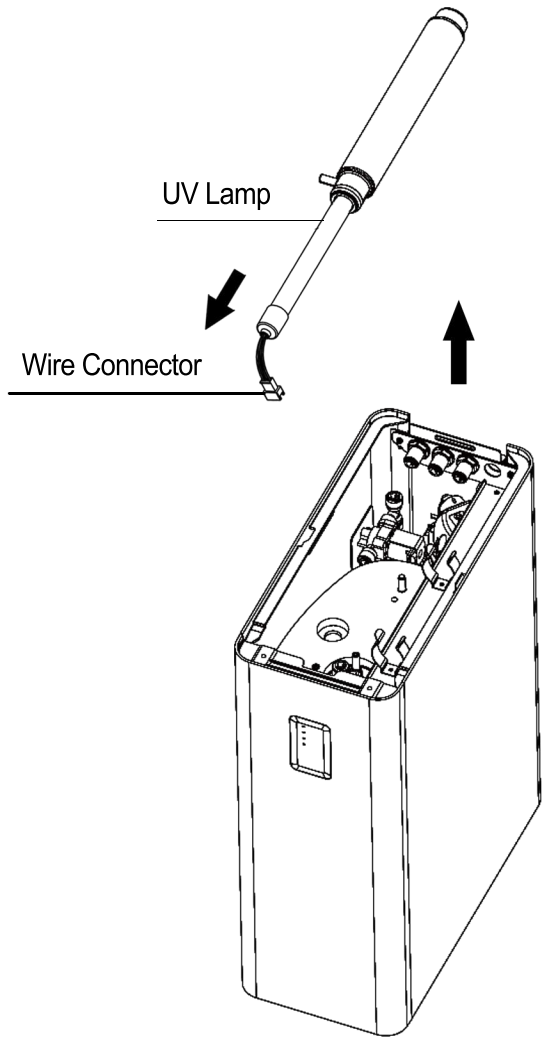
# UV REPLACEMENT

1



1. Open the top panel to find a UV sterilizer that located at right side.

2



2. Disconnect wire connector from machine wire connector, then remove UV sterilizer from two hooks. Take out the UV lamp from UV sterilizer then replace a new UV lamp. Mount the UV sterilizer back and connect wire to machine to finish UV replacement process.

# TROUBLESHOOTING

Issue	Possible Reason	Solution
Hot water is not hot	1. The hot power switch is off.	Turn the hot power switch on. Please wait for at least 10 minutes.
	2. Problem with PCB (Printed Circuit Board) or thermostat or heater.	Call service provider, or replace a new part. (PCB, or thermostat or hot tank)
	3. The heating element protection is on due to dry heat.	Be sure hot water can be dispensed, then reset protection for the hot tank. Check the page E1 for procedure.
No hot water	1. No water from mains water supply.	Check inlet water supply.
	2. Inlet water pressure too low.	Check inlet water pressure from pre-filter system or water supply.
	3. Water is not being filled into hot tank fully.	Press hot button to feed water into hot tank until water is dispensed from tap.
	4. Leaking protection is on, due to leaking is detected. The machine is locked when the leaking occurs inside.	Unplug the machine then open left side panel to find detection probe on the base. Repair leaking part, clean water around detection probe then plug in power cord. Check the page E2 for procedure.
Cold water is not cold	1. The cold power switch is turned off.	Turn the cold power switch on.
	2. Chilling time not sufficient.	Please wait for 40 minutes for water to chill.
	3. Compressor failed or the refrigerant leaked.	Call service provider. The refrigerant R600a is flammable, please protect from sources of ignition and ensure adequate ventilation.
	4. Poor ventilaton.	Leave at least 15 cm space between wall and machine or check if fan is working.
No cold water	1. Waste water container is full. (If there is)	Empty container, following instructions.
	2. No water from mains water supply.	Check inlet water supply and its pressure.
	3. Inlet water pressure is too low.	Check inlet water pressure from pre-filter system or water supply.
	4. Leaking proection is on, due to leaking is detected. The machine is locked when the leaking occurs inside.	Unplug the machine then open left side panel to find detection probe on the base. Repair leaking part, clean water around detection probe then plug in power cord. Check the page E2 for procedure.

# TROUBLESHOOTING

Issue	Possible reason	Solution
No sparkling water.	1. CO <sub>2</sub> cylinder is empty.	Replace CO <sub>2</sub> cylinder.
	2. The sparkling water power switch is off.	Turn the sparkling water power switch on.
	3. No water is supplied.	Check inlet water supply.
	4. Water is unable to fill sparkling water tank.	Problem with filling system, please call service provider.
Hot water is dripping from tap.	1. The pressure of Inlet water supply is too low.	Check inlet pressure from pre-filtration system or water supply.
	2. Solenoid valve failure	Switch off machine, close inlet valve and call service provider.
	3. Water is over boiled.	The thermostat on hot tank failed, follow the page E2 to find hot tank and replace a new thermostat.
Cold or ambient water is dripping from tap.	1. Inlet pressure is too high.	Check inlet water supply.
	2. Solenoid valve failure	Switch off machine, close inlet water valve and call service provider.
Sparkling water is dripping from tap after dispensing.	1.CO <sub>2</sub> pressure forcing water through tap.	A few drops after dispensing is normal. If it continues, it can be solenoid valve failure, please call service provider
	2. Solenoid valve failure	Switch off, close inlet valve and call service provider.
UV indicator light is blinking and making beeps when dispensing water.	1. UV lamp has failed or UV lamp is disconnected.	Unplug power cord to turn off machine. Replace a UV lamp by following UV replacement instruction, then be sure that the UV wire is connected.
	2. UV board has failed.	To replace it or call service provder.
All dispensing buttons are blinking when one button is pressed.	1. Waste water container or drip tray is full.	Empty container, following instructions.
	2. Leak detected inside of water dispenser.	Unplug the machine then open left side panel to find detection probe on the base. Repair leaking part, clean water around detection probe then plug in power cord. Check the page E2 for procedure.
Sparkling water is nearly flat, insufficient gas content in water water.	1. The CO <sub>2</sub> and water have not mixed properly.	Please wait longer time or wait about two hours after installation before dispensing.
	2. CO <sub>2</sub> cylinder is nearly empty.	Replace a CO <sub>2</sub> cylinder.
	3. CO <sub>2</sub> output pressure is too low.	Adjust CO <sub>2</sub> pressure higher; suggestion pressure is 4 bar.