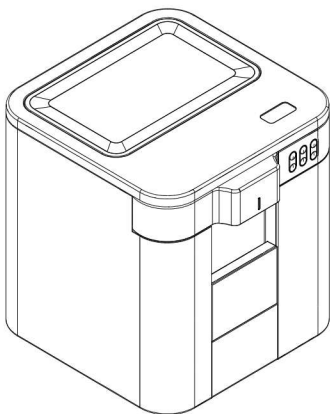


# CW - T101CWH - F

Cold , Room and Hot Water Dispenser with UV

## Operation Manual



Contents	Page
Preface / Parts _____	1
Piping Installation _____	2
Directions for Use _____	3
Operation Method _____	4
Replacement of UV _____	5
Replacement of Filters _____	6
Safety Reminder _____	7
Cleaning & Maintenance _____	8,9
Operation and Setting _____	10 ~ 14

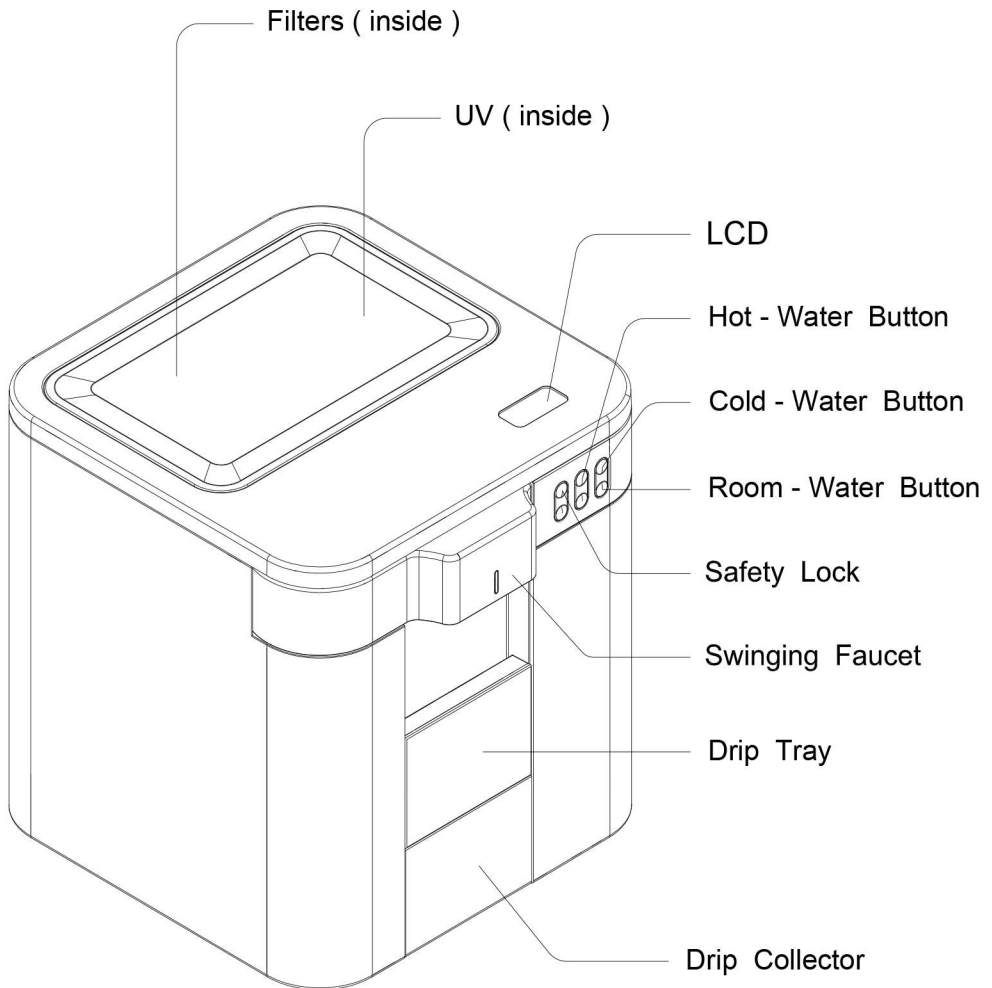
Please read these instructions completely before operating this unit

Apply water pressure ranged between 25~60 psig . If the water supply is more than 60 psig , please do connect with a Pressure Reducer .

# Preface / Parts

Before using this machine , we advise you to read this manual thoroughly .

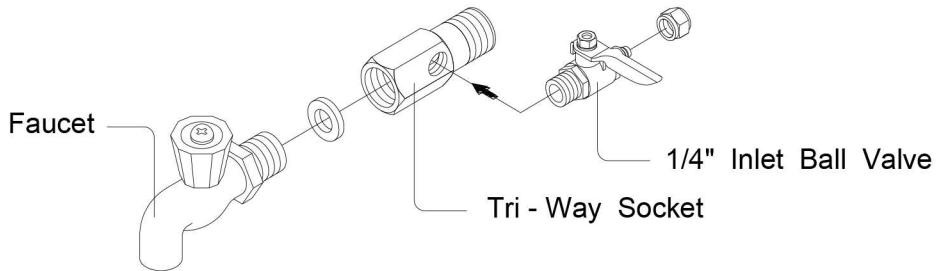
Please follow the instructions to ensure proper operation and the lasting of the machine .



# Piping Installation

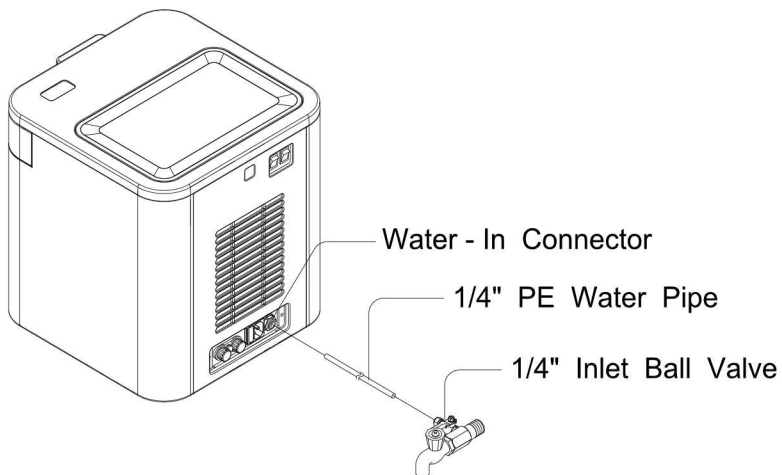
Water-in installation Method :

1. Disassemble the original water tap .Then put on the tri-way socket and inlet ball valve .See drawing(A).



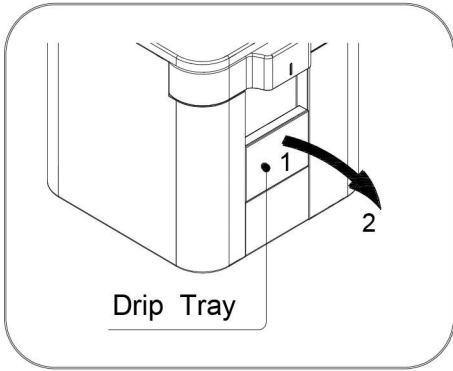
Drawing (A)

2. Connect the 1/4" PE water pipe between inlet ball valve and inlet connector . See drawing (B).

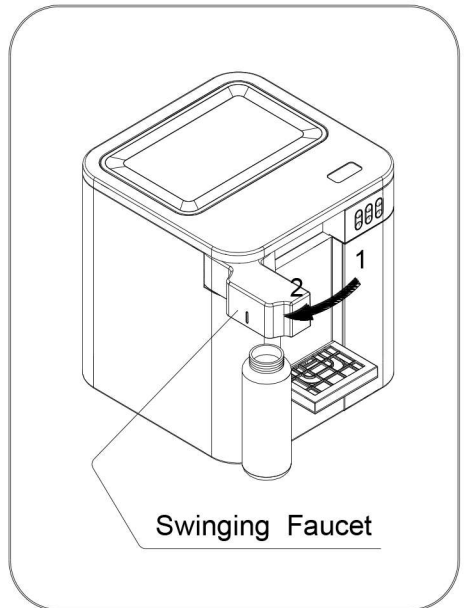
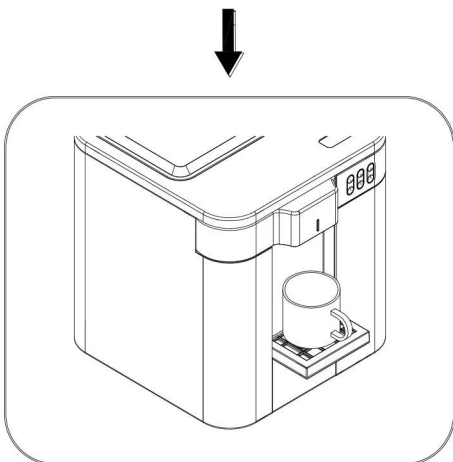
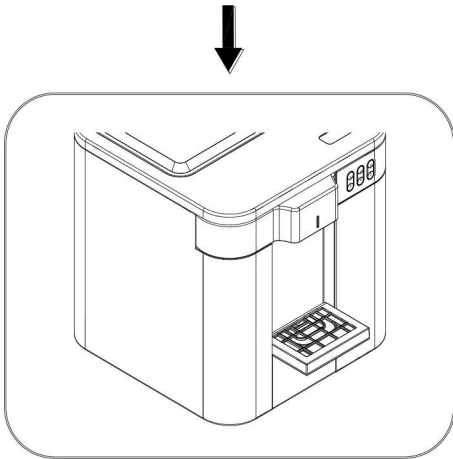


Drawing (B)

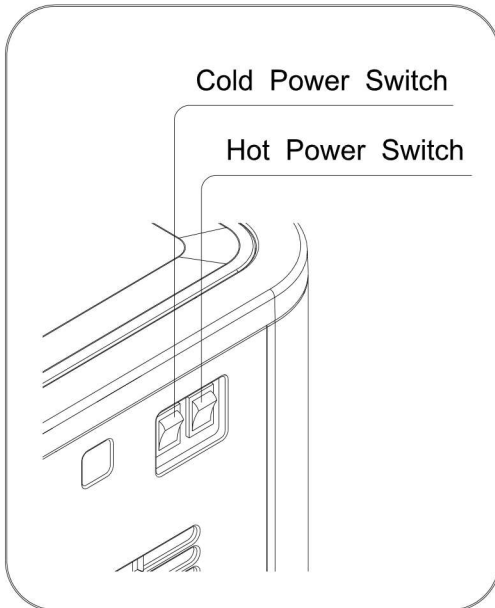
# Directions for Use



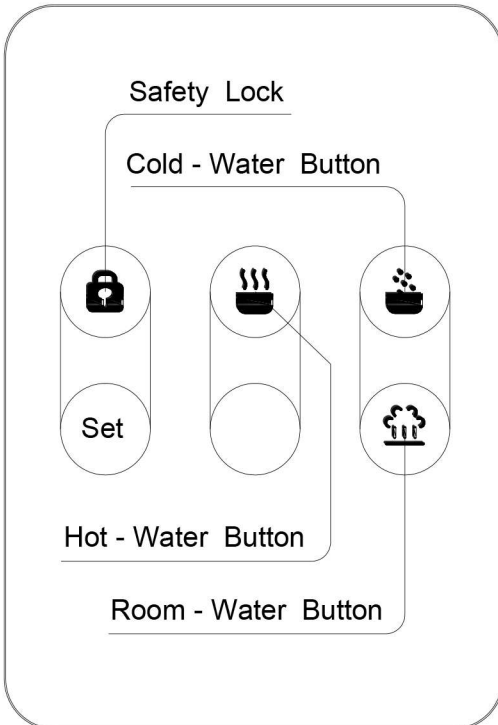
This unit may provide water to containers of all sizes. When filling a small container or cup, please lift down the drip tray as directed by the arrow in first picture. If the container is taller or bigger in size, please place it directly below the faucet to fill water.



# Operation Method



1. After completing water - in piping , the tanks inside will begin to fill with water. Please switch off both power switches on the back of the dispenser, then connect the machine to electricity. Try pressing the cold and hot water buttons to see if water comes out ( takes about 2 to 3 minutes for water to flow out from cold water, 1 to 2 minutes from hot water). When water flows out of the dispenser, please press the water buttons until all water has been drained out. Wait till the tanks are filled with water again and let some water flow out for one to two minutes. The dispenser is ready for use.



2. Switch on both cold and hot power switches on the back, all indications will be appearing on the LCD screen, then the default setting comes next. Please see page 10 to 12 for more details on the LCD operation and settings.

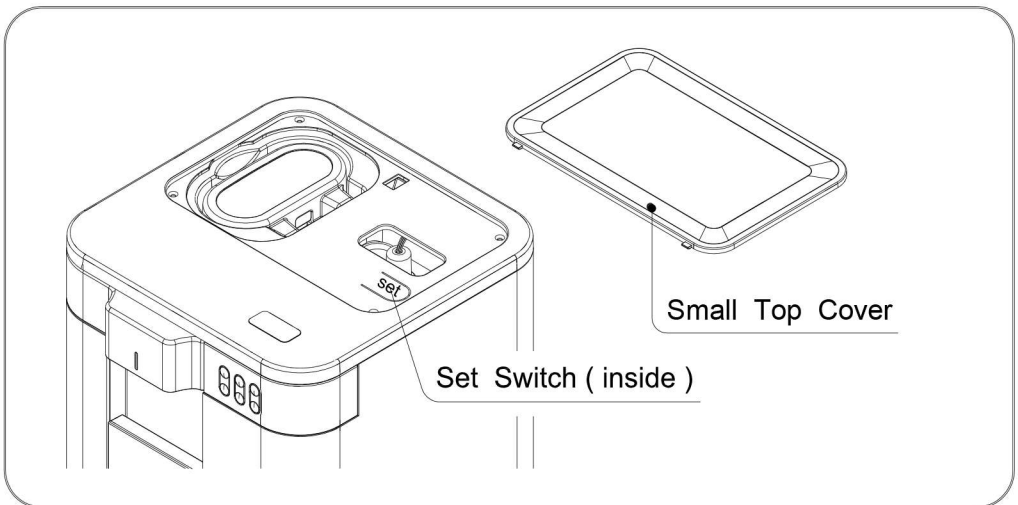
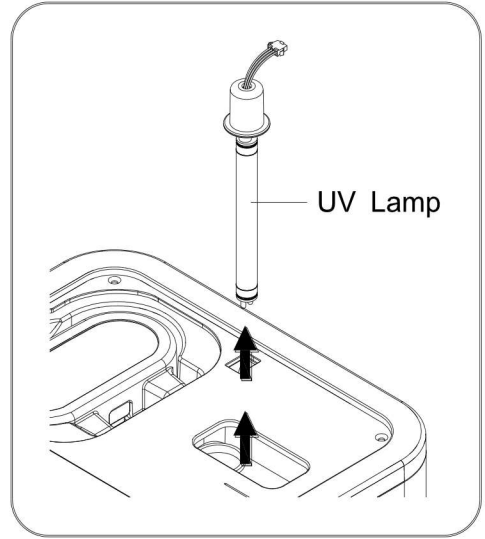
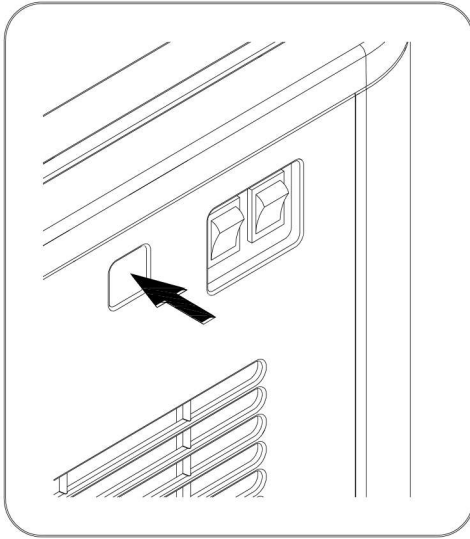
3. To drink cold or room water, please press the cold or room water button.

4. When the temperature for hot water is not high enough, it will be reheated automatically for non-stop supply of hot water. After heating is done, press the safety lock first to unlock the hot water button, then press hot water button for hot water. The hot water button locks up automatically after 5 seconds.

# Replacement of UV

## Replacement of UV Lamp

When hearing the alarm from the dispenser, the WARN sign will flash to indicate malfunction. To replace UV lamp, please disconnect the machine from power before starting any procedures. Press the button as directed to open the small top cover. Then, take out the damaged UV lamp and replace with a new one to complete replacement.



# Replacement of Filters

If you have special requirements, different from the current default settings, reset according to the mains water quality and your demands.

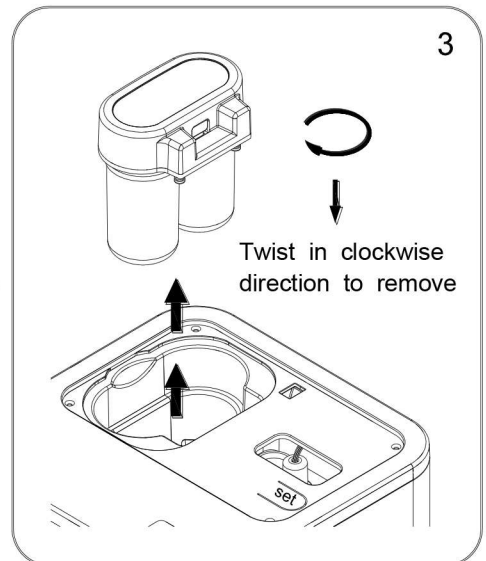
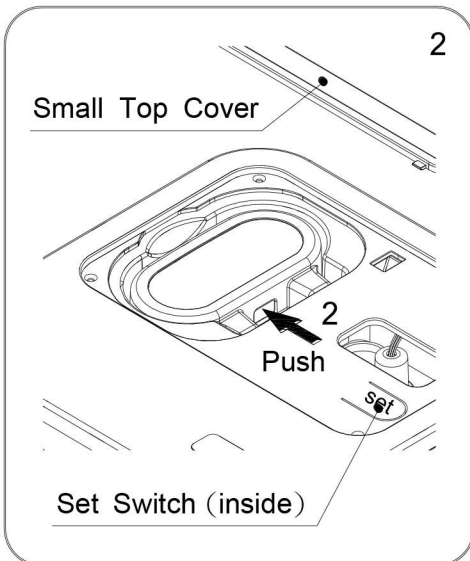
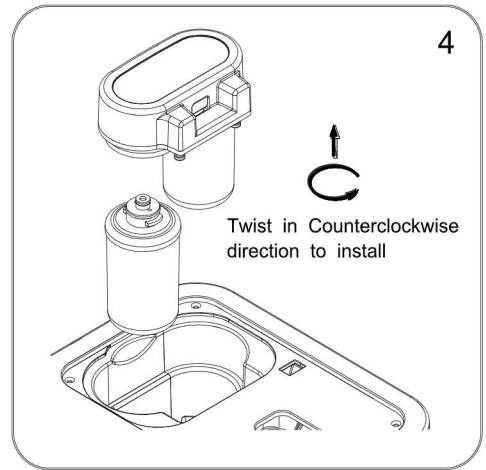
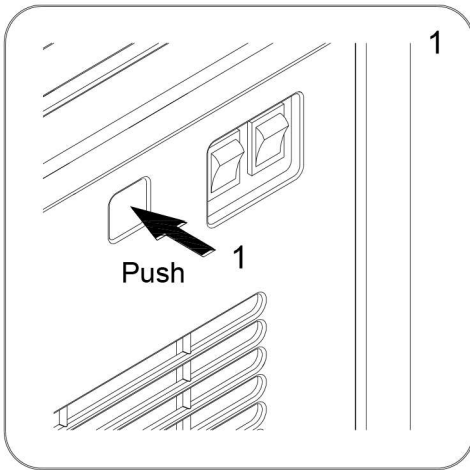
While replacing the filter, please do not shut off mains water supply. Follow the order per the drawings that are listed below.

Drawing 1, push the button in the rear panel in order to open the small top cover.

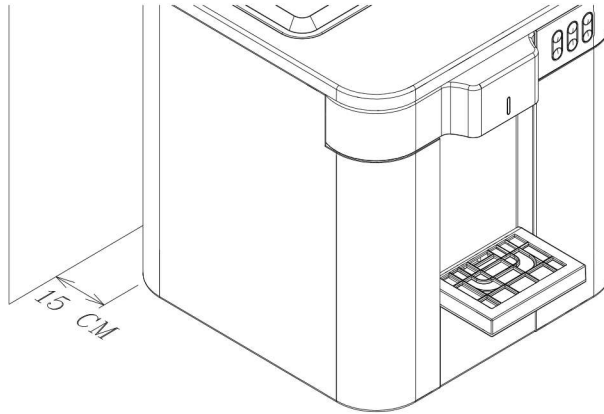
Drawing 2, push the button in the filter head in order to let twin filters pop off.

Drawing 3, Twist the filter in clockwise direction to remove the filter.

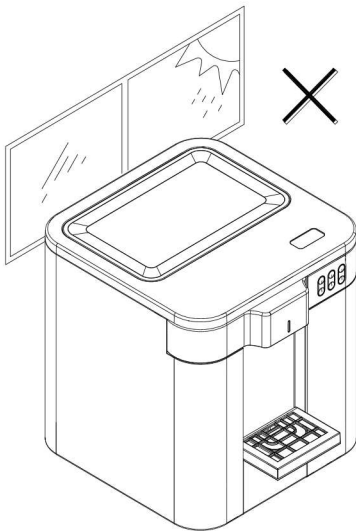
Drawing 4, Twist the filter in counterclockwise direction to install the new filter.



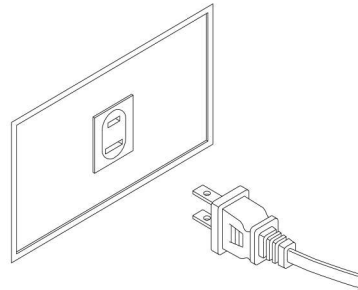
# Safety Reminder



Leave a space no less than 15cm between the wall and dispenser.



Keep the machine away from sunlight , heat , and wetness.

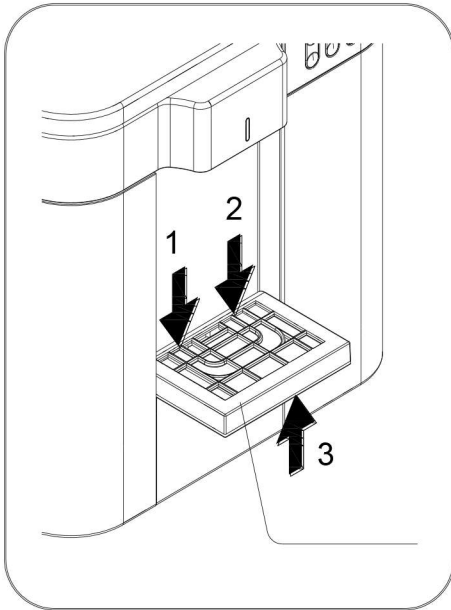


Be sure to use single outlet socket with correct power voltage. Plug the power cord directly into electrical socket .

Caution : For your safety , please contact your distributor or qualified technician for repairing when the unit is damaged .

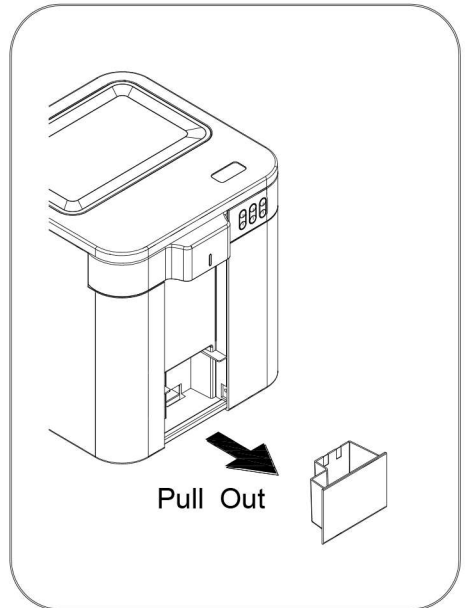


# Cleaning & Maintenance

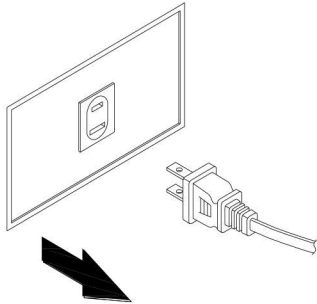


1. When drip collector is full, the machine will make 3 long beeping sounds every 30 seconds. The FULL sign will be shown on the display. Please lift the drip tray per mark 3 in order to move the drip tray. Pull out the drip collector and empty the water inside. Place it back and the dispenser will work normally.

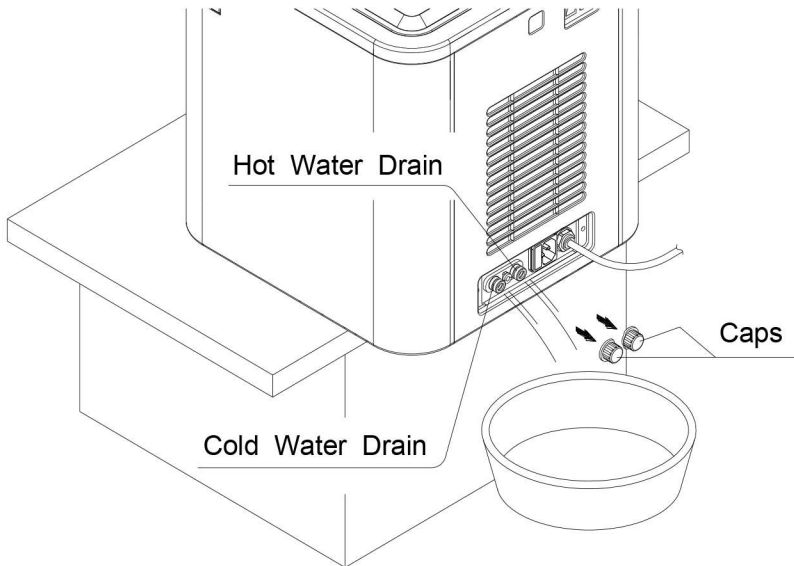
2. Water button will be locked when drip collector fills with water.



# Cleaning & Maintenance



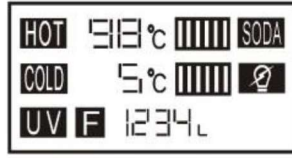
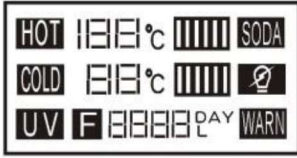
1. Please make sure the machine is completely disconnected from electricity before cleaning.



2. Remove the caps on top of the hot water and cold water drains. The remaining water in the tanks will drain out. Cleaning may start when both tanks are emptied. Please put the caps back when cleaning is done.

**Caution:** For your safety, please contact your distributor or qualified technician for repairment when the water dispenser is damaged.

# Operation and Setting



## 1. Machine On

All functions and signs on the screen are shown.

Then according to each model to display its functions, cold and hot temperature, soda, and the other datas.

## 2. Descriptions



Hot water in use.

The 98°C next to it is the hot water temperature.

When heating the water, the color bar flashes.



Cold water in use.

The 5°C next to it is the cold water temperature.

When chilling the water, the color bar flashes.



UV in use.



Flow Meter: Showing liters of water produced.

F 6789 L stands for 6789 liters have been produced.



Day Counter: Showing how long the filters were used.

F 0256 Day means the filters were used for 256 days.



Energy saving in use.



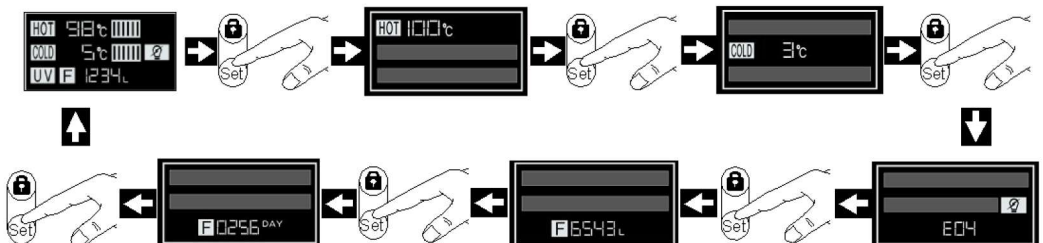
Soda in use.

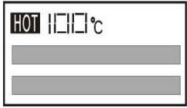
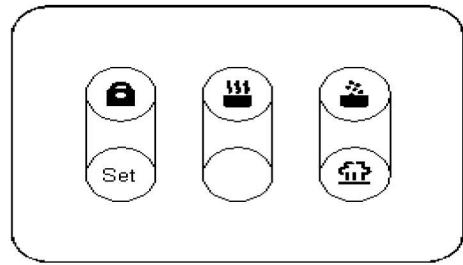
(If no hot water, soda and its temperature appear on the first row.)



Warning for machine errors.

## 3. Setting





To adjust hot water temperature, press set one time to indicate current hot water temperature. Press set again and hold for 3 seconds the temperature may be changed from 80 to 100°C. Default setting is 100. To complete setting, press set and hold for 3 seconds. If no button is pressed, the unit saves the setting automatically after 30 seconds.



To adjust cold water temperature, press set 2 times to indicate current cold water temperature. Press set again and hold for 3 seconds, the temperature may be changed from 2 to 8°C. Default setting is 2.



To adjust surrounding brightness, press set 3 times to indicate current brightness level. Press the internal switch and hold for 3 seconds, the brightness level may be changed from 0 to 5. Default setting is 1. ( 0 = the darkest, 5 = the brightest )  
Energy saving only works for hot system, not for cold system.

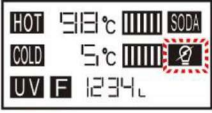


To adjust the flow meter, press set 4 times to indicate the number of liters produced. Press the internal switch and hold for 3 seconds, the number may be changed from 100 to 6000 liters. Default setting is 1500 liters.



To adjust the day counter, press set 5 times to indicate the days the filters have been used. Press the internal switch and hold for 3 seconds, the counter may be changed from 90-250 days. Default setting is 180 days. Each press of the internal switch will increase one day. When complete with setting, hold the internal switch again for 3 seconds to save the change. Each change is saved automatically when no action is done after 30 seconds. No action after 15 seconds while viewing each function, the screen returns to the normal status.

## 4. Energy Saving

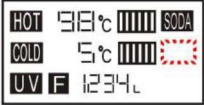


Hold on  within 5 seconds to turn on energy saving.

The current default is 1. If the current brightness level is < 1, meaning the current brightness is darker than the default, ten minutes later, hot power will shut off automatically.

If the current brightness level is > 1, meaning the current brightness is lighter than the default, one minute later, hot power will turn on automatically.

Please refer to page 11 if you need to re-set the default.

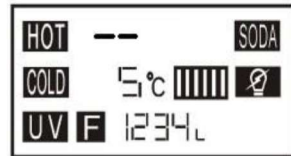


When energy saving is on,

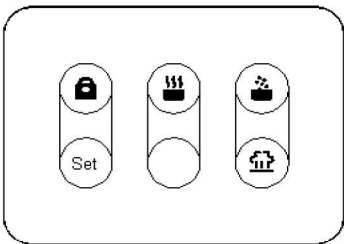
hold on  within 5 seconds to turn off energy saving.


- Energy saving will turn on or off the heating system according to the current setting of brightness level.
- If the surrounding is darker than the current default, heating system will turn off after 10 minutes.
- If the surrounding is brighter than the current default, heating system will activate after 1 minute.

When energy saving is on, the hot temperature will appear as - - , and the color bar is not showing.



## 5. Reboil On/Off




Press  . Within 5 seconds, press set to activate reboil. A short beep sound will be heard and the hot water color bar on the screen flashes as to indicate heating in process.

When reboil starts, it will not stop till water reaches 100°C.

To stop heating, press  and then press set.

## 6. Reset Day Counter and Flow Meter

To reset the counters back to zero, hold the  and the internal switch for 3 seconds. The unit will make 5 beeping sounds and clear the record of the counters.

## 7. Errors



- C101** Problem to the hot temperature control, not connected or over 105°C.
- C102** Temperature rises too quickly or empty heating. Will return to normal when water is added. Please contact distributor when error keeps appearing.
- C103** Constant heating for 1 hour or not reaching the set temperature.  
If water is added during the heating, the timer starts over.
- C201** Problem to the cold temperature control, not connected or over 70°C.
- C202** Constant chilling for 8 hours or not reaching the set temperature.
- C203** Fan error, disconnected or damaged.
- C301** Leaking detected on the bottom plate. Please reconnect to electricity.
- C302** Water-in solenoid valve or related parts damaged, might cause leaking.
- C303** IC board self testing. Problem with electro voltage.
- OFF** Providing water for over 40 seconds or buttons jammed. Remove button jam to return to normal status.
- FULL** Drip collector is full over 3 seconds. Drain the collector to return to normal status.

## 8. Alarm and Malfunctions

When **C101 to C302** appears, chilling and heating systems are both off.

When **C101 to C202** appears, water may still be provided.

The unit will make short beeping sounds when malfunctions occur, please restart to stop the alarm.

When **C301, C302, C303** or **OFF** appears, water supply and power system will be off.

This unit makes alarm sounds when the following conditions happen:

**OFF, FULL, UV malfunction, and change filters.**

The alarm will be 3 long beeps every 30 seconds and **WARN** flashes on the display.

To stop the alarm, just press set. **WARN** sign will be gone for 10 seconds.

After 10 seconds, **WARN** flashes again until the problem is solved.

During this time, if other problems are detected, the alarm will beep again.

## 9. Others

- (1) When chilling reaches the set temperature, the fan will run for another five minutes.
- (2) All settings are stored in memory.
- (3) When errors happen to the LCD display, the unit will reset every five seconds till recover from the problems.

**Note: IC board of LCD will reset when 1Kv electric shock occurs. The display reappears again after 5 seconds.**

- (4) When the fan is stucked, the alarm will activate after 5-15 seconds due to voltage control. The fan and its component will not damage immediately, but the temperature will gradually goes up. The alarm signal will appear as 203 on the display for safety concern.
- (5) When the fan is damaged, burnt off, short circuit, or disconnected, alarm signal 203 will appear. Please be aware that when unable to dissipate heat will cause damages to the compressor.
- (6) IC board and the fan will perform self testing when each time the unit is on.
- (7) Fan control wiring improved. The power lowers automatically from 33V to 24V to reduce noisy as well as the squeaky sound.
- (8) When power parts are not working normally and cause the unstable internal power, the IC board may still work properly. But to avoid all parts from bearing high voltage, the alarm will indicate 303 on the display.
- (9) Alarm 302 -- 2 problems as listed below

Error occurs to water supply system, either certain parts not working properly or short circuit of water-out solenoid valve.

- a. Parts not working -- alarm goes on when solenoid valve is on for over 5 seconds
- b. Solenoid valve short circuit -- alarm goes on immediately

Normally, solenoid valve and the switch on the IC board are not electrified when not being pressed.